

# Tuff Panel 10 x 50A

Power Distribution Products



## APPLICATION RANGE

Trystar Tuff Panel

400A 208Y/120V

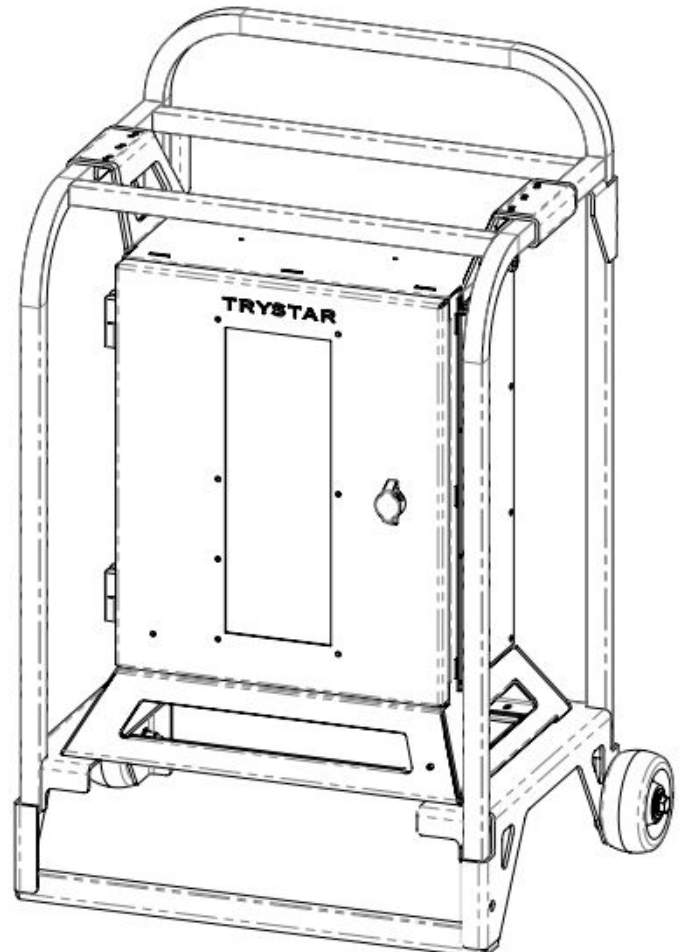
Feed Through

## STANDARD FEATURES

- NEMA 3R All Aluminum Construction
- Access Door with Breaker Viewing Window
- Removeable Gland Plate with Panel Mounts on Back of Panel
- Clear Flip Covers on All Panel Mounts to Prevent Accidental Contact
- Mounted in Tilt and Roll Cage with Wheels
- Made in the USA

## CONFIGURATION

- Input
  - 1 Set of Male 16 Series Panel Mounts (BK,RD,BE,WT,GN)
- Output
  - 10 x 50A California Style Receptacle (125/250V)
  - 10 x 50 Amp 2P Branch Breaker
  - 1 Set of Female 16 Series Panel Mounts (BK,RD,BE,WT,GN)



## LISTINGS

- UL1640 Listed
- C(ETL) Listed
- UL 50 Listed
- NEMA 3R

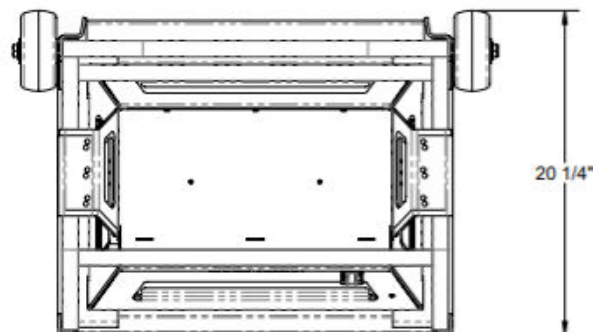
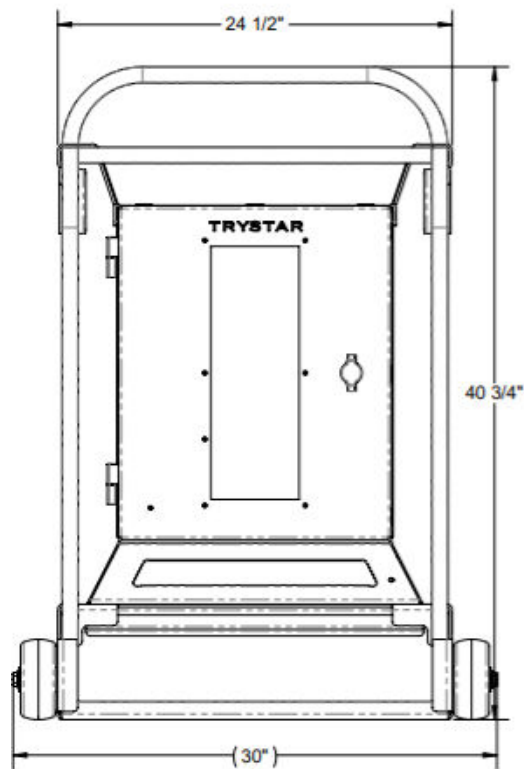
\*Images are representative, specific final design details may vary

# Tuff Panel - 10 x 50A

## DIMENSIONS AND WEIGHTS



APPROXIMATE WEIGHT: 110 LBS.



\*Dimensions are representative, specific final design details may vary