

TRANSFER SWITCH DETAILS									
ATS NAME	QTY	AMPS / POLES (VOLTS)	BYPASS	TRANSITION TYPE	CATALOG NUMBER	ACCESSORIES	OUTLINE DRAWING	WIRING DIAGRAM	BOM NUMBER
	5	0260 / 4 (208V)	N/A	OPEN	J03ATSB30260CGXF	11BE,72EE	1001393-018	1184913	1274116
	5	0260 / 4 (480V)	N/A	OPEN	J03ATSB30260NGXF	11BE,72EE	1001393-018	1184913	1320436
	5	0400 / 4 (480V)	N/A	OPEN	J03ATSB30400NGXF	11BE,72EE	1001393-018	1184913	1190524
	2	0400 / 4 (208V)	N/A	OPEN	J03ATSB30400CGXF	11BE,72EE	1001393-018	1184913	TO BE ENGINEERED
	5	0600 / 4 (480V)	N/A	OPEN	J03ATSB30600NGXF	11BE,72EE	1001393-002	978745	1156677
	2	0600 / 4 (208V)	N/A	OPEN	J03ATSB30600CGXF	11BE,72EE	1001393-002	978745	1200535
	7	0800 / 4 (480V)	N/A	OPEN	H03ATSB30800NGXF	11BE,72EE	1001394-002	1001657	1372376
	5	1200 / 4 (480V)	N/A	OPEN	H03ATSB31200NGXM	11BE,72EE	713201-025	1001657	TO BE ENGINEERED

Transfer Switch Withstand and Closing Ratings																											
300, 4000 & 7000 Series																											
ATS NAME	FRAME SIZE	SWITCH RATING AMPS		CURRENT LIMITING FUSES				SPECIFIC BREAKER			TIME BASED				Short Time Ratings ³ (sec)												
		Transfer Switches	Bypass Switches	480V Max.	600V Max.	MAX SIZE, A	CLASS	240V Max.	480V Max.	600V Max.	Time(Sec)	240V Max.	480V Max.	600V Max.	480V Max.					600V Max.							
															.13	.2	.3	.5	.1	.13	.3	.5					
-	J	150, 200, 230, 260	150, 200, 230, 260	200kA	200kA	600	J	200kA	200kA	100kA	0.05	65kA	42kA ⁵	35kA	7.5kA	-	-	-	-	-	-	-	-	-	-	-	-
-	J	600	600	200kA	200kA	800	L	200kA	200kA	100kA	0.05	65kA	42kA ⁵	35kA	7.5kA ⁹	-	-	-	-	-	-	-	-	-	-	-	-
-	H	800 - 1200	800 - 1200	200kA	200kA	1600*	L	65kA	150kA	65kA	0.05	50kA	50kA	50kA	36kA	-	-	36kA	-	-	-	-	-	-	-	-	-
-	J	400	400	200kA	200kA	600	J	200kA	200kA	100kA	0.05	65kA	42kA ⁵	35kA	7.5kA	-	-	-	-	-	-	-	-	-	-	-	-

NOTES:

- 1) All WCR values indicated are tested in accordance with the requirements of UL 1008, 7th Edition.
- 2) Application requirements may permit higher WCR for certain switch sizes.
- 3) Short Time ratings are provided for applications involving circuit breakers that utilize trip delay settings for system selective coordination
- 4) Max fuse rating is 1200A on front connected H frame switches
- 5) Switches utilizing overlapping neutral (code "C") have 35kA, 0.050 Sec time-based rating at 480V Max
- 9) Short Time Rating applies to 600A Bypass switch only, the 600A Transfer Switch does not have a Short Time Rating

Transfer Switch Details

#3	ATS	AMPS: 0400	QTY: 5
Product	: Series 300	Catalog Number	: J03ATSB30400NGXF
Service Voltage / Hz	: 480V/60Hz	Optional Accessories	: 11BE,72EE
Bypass Isolation	: Not Applicable	Product Description	: 300 Series, Automatic Open Transition Transfer Switch
No. of Switched Poles: 4	: 4	Neutral Configuration	: Switched [B]
Withstand Rating:	: See WCR Table Below	No. of Cables & Lug Size	: See applicable outline drawing
Frame = J, Switch Rating = 0400, Series = 300			
Enclosure	: 3R(F)-UL Type 3R Enclosure (See Disclaimer 3)	Service	: Three Phase, 4-wire
Extended Warranty	: Not Included	Markings	:

#	ACCESSORY DESCRIPTIONS	
	Accessory Code	Description
1	11BE	Adds the following features to the Group G controller: (1) Serial RS-485 Modbus Communications (2) Multi-Schedule Engine Exerciser (3) a 300 Entry Event Log and (4) a common alarm output function. When applied on 3-phase systems it also enables: (1) 3-Phase Emergency Source VLL sensing (2) Phase Rotation Monitoring (3) Emergency Source VLL Unbalance Monitoring.
2	72EE	Quad - Ethernet Module with AES - 128 bit with encryption and (4) RJ - 45s, includes 11BE feature bundle

OUTLINE FOR ASCO® 300 SERIES 260-400 AMPERE "J" FRAME (3ATS,3NTS), FRONT CONNECTED TRANSFER SWITCHES TYPE 3R/12 ENCLOSURE

GENERAL NOTES

1. TYPE 3R/12 ENCLOSURE. FREE STANDING. FLOOR OR WALL MOUNTABLE. CODE GAUGE CONSTRUCTION.
2. THREE POINT LATCHING DOOR WITH LOCKABLE HANDLE.
3. FINISH: ANSI 61 GRAY, POLYESTER POWDER STANDARD. OTHER ANSI COLORS AVAILABLE CONSULT FACTORY UL RECOGNIZED.
4. RECOMMENDED CLEARANCES:
FRONT: 24 INCHES 24.00" [610mm]
5. A 20% RATED GROUND BUS IS PROVIDED.
6. UNIT IS DESIGNED FOR COMBINATION TOP AND BOTTOM CABLE ENTRY. THE STANDARD SWITCH CONFIGURATION IS FOR TOP LUGS EMERGENCY AND LOAD AND BOTTOM LUGS NORMAL.
7. A FULL RATED NEUTRAL CONNECTION FOR EACH SOURCE AND THE LOAD IS OPTIONAL. WHEN PROVIDED IT IS IN ONE OF THE FOLLOWING FORMATS AS SPECIFIED BY THE CATALOG NO. NEUTRAL TYPE:
A. SOLID (COPPER BUS) NEUTRAL FOR 150-400A ADTS/NDTS AND SOLID NEUTRAL TERMINAL ASSEMBLY (NTA) FOR 260-400A ATS/NTS.
B. SWITCHED NEUTRAL POLE
8. CENTER OF GRAVITY.

CABLING NOTES

1. ALL SIZES SUPPLIED STANDARD WITH MECHANICAL (SCREW TYPE) LUGS. (SEE AMP SIZE BELOW)
A. LUG MATERIAL: ALUMINUM ALLOY 6061-T6 WITH ELECTRO TIN PLATED FINISH.
B. SCREW MATERIAL: ALUMINUM ALLOY 6262-T9 WITH ELECTRO TIN PLATED FINISH.
C. UL LISTED, CSA CERTIFIED.
D. LUG SCREW TIGHTENING TORQUE PER UL 486B: 19 FT-LBS.
E. SUITABLE WIRE BENDING SPACE IS PROVIDED. (SEE AMP SIZE BELOW)
2. GROUND LUGS ARE PROVIDED STANDARD AS FOLLOWS. (SEE AMP SIZE BELOW).
3. CUSTOMER TERMINAL BLOCKS:
FOR ALL 300 SERIES 3ATS AND 3NTS UNITS TB WILL BE MOUNTED ON THE TRANSFER SWITCH FRAME AS INDICATED.

NOTES 260-400 AMP SWITCHES

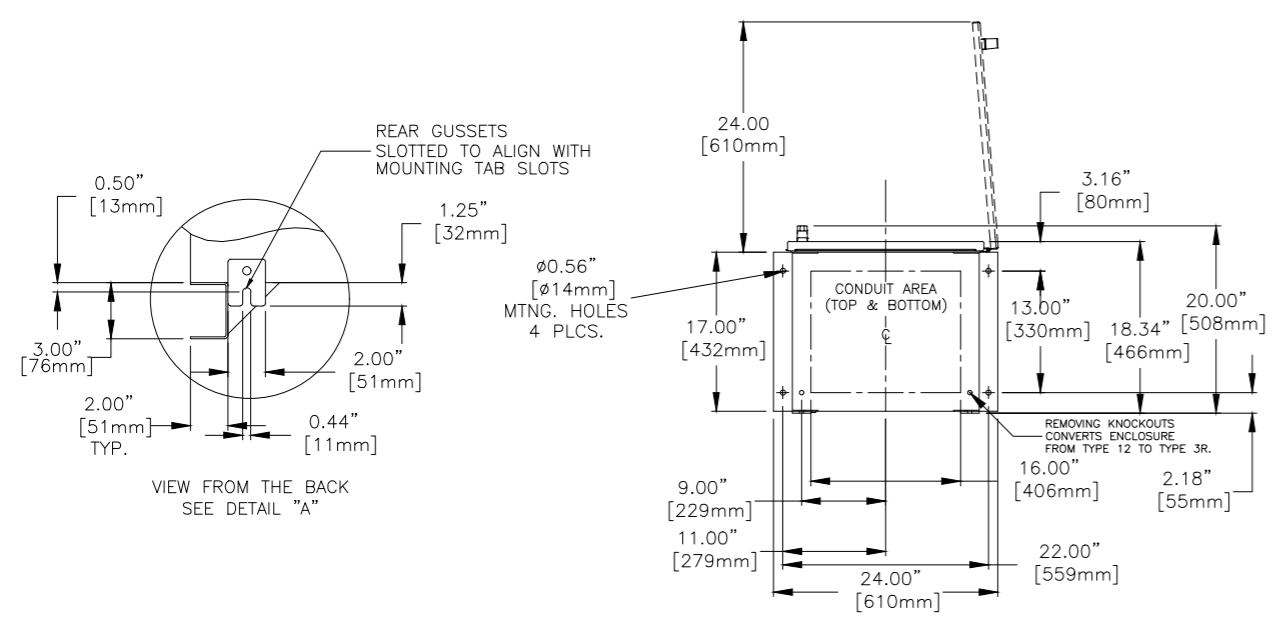
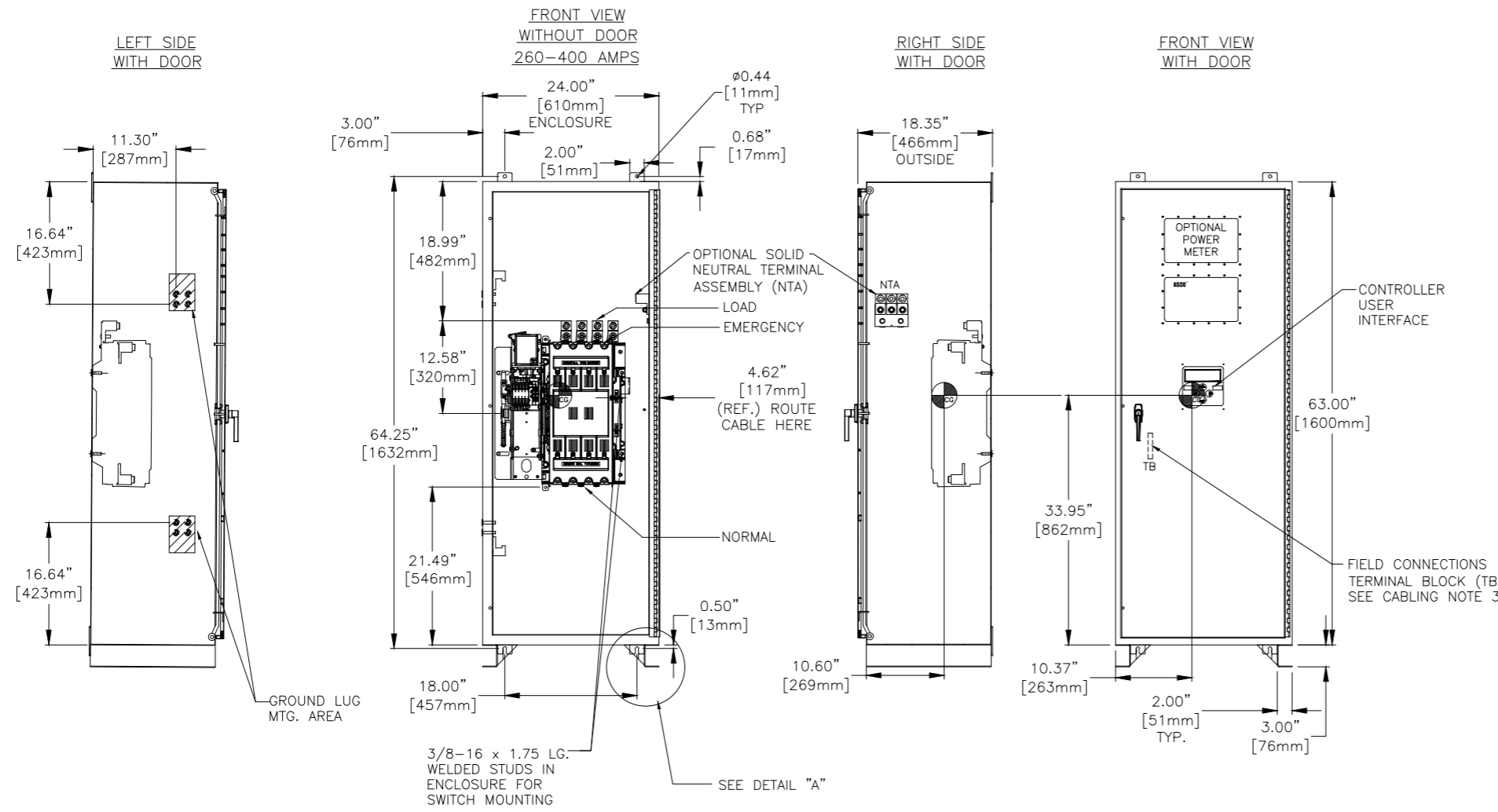
1. SUPPLIED WITH STANDARD MECHANICAL (SCREW TYPE) LUGS ON THE NORMAL, EMERGENCY & LOAD BUS STABS. ONE (1) LUG PER PHASE AND NEUTRAL EACH SUITABLE FOR CONNECTION OF TWO (2) 1/0 -250MCM CU/AL CABLES OR ONE (1) #4 -600MCM CU/AL CABLE.
A. SUITABLE WIRE BENDING SPACE IS PROVIDED FOR UP TO ONE (1) 600MCM CABLE PER TERMINAL PER NEC.
2. GROUND LUGS ARE PROVIDED STANDARD AS FOLLOWS:
SIX (6) 1/0 -250MCM CU/AL CABLES OR THREE (3) #4 -600MCM CU/AL CABLE CONNECTIONS.

ATS SWITCH RATING (AMPS)	POLES	WEIGHTS LB (KG)
260-400	2	206 (93)
260-400	C2	N/A
260-400	3	212 (96)
260-400	C3	N/A
260-400	4	218 (99)

C	292708 TR MM 11/29/21
	SEE ECN
B	289439 TR NS 05/07/21
	SEE ECN
A	271097 TR BK 2/13/18
	SEE ECN
-	266871 TR BK 5/2/17
	ISSUE

PROJECT NAME:		REV. TO SHEET	ECN NO.	BY	APP.	DATE
COMPOSITE OUTLINE						
300 SERIES TS "J" J3ATS & J3NTS						
260-400 AMP TYPE 3R/12						
DRAWN BY	TR	DATE	5/2/17	MANUFACTURING TOLERANCES TO BE IN ACCORDANCE WITH ASCO PROCEDURE MP-L-003. FOR PLASTIC PARTS SEE MP-H-005.	ASSEM. REF. NO.	COMPUTER GENERATED DRAWING
CHECKED BY	BK	DATE	5/2/17	PROPERTY OF ASCO POWER TECHNOLOGIES. USE PERMITTED FOR OUR WORK ONLY. ALL RIGHTS OF DESIGN OR INVENTION ARE RESERVED.		SCALE NONE SIZE DS
PROJECT APPROVAL	BK	DATE	5/2/17			DWG. NO. 1001393-018
FINAL APPROVAL						1 OF 1

ASCO ASCO POWER TECHNOLOGIES, L.P.
FLORHAM PARK, NEW JERSEY 07932 U.S.A.



BOTTOM VIEW

VIEW FROM THE BACK
SEE DETAIL "A"

THREE PHASE WIRING FOR ASCO® 300 SERIES TRANSFER SWITCHES (J3ATS/J3NTS) 260 & 400 AMPERES WITH GROUP G CONTROLS

GENERAL INFORMATION

THIS WIRING APPLIES TO 300 SERIES TRANSFER SWITCHES THAT UTILIZE THE "J" FRAME POWER TRANSFER SWITCH RATED 260 & 400 AMPERES.

THE GROUP G CONTROLLER PROVIDES EITHER AUTOMATIC (J3ATS) OR NON-AUTOMATIC [MANUAL] (J3NTS) OPERATION BASED ON ITS FACTORY SETTING ACCORDING TO THE CUSTOMER ORDER REQUIREMENTS.

THE TYPE OF TRANSFER SWITCH PROVIDED CAN BE DETERMINED FROM THE PRODUCT IDENTIFICATION MARKINGS LOCATED ON BOTH THE POWER TRANSFER SWITCH AND THE COVER OF THE GROUP G CONTROLLER.

ALL OPERATIONAL SETTINGS AND SEQUENCES OF THE GROUP G CONTROLLER AND ITS RELATED OPTIONAL ACCESSORIES (1UP, 18RX, 23G) ARE PROVIDED IN THE USER'S GUIDE, ASCO GROUP G CONTROLLER FOR AUTOMATIC & NON-AUTOMATIC TRANSFER SWITCHES, PART NUMBER 381333-400.

INFORMATION FOR INSTALLATION AND TESTING OF THE TRANSFER SWITCH IS PROVIDED IN THE INSTALLATION MANUAL, ASCO 3ATS, 3ADTS, 3NTS & 3NDTS, J-DESIGN 150-600 A TRANSFER SWITCHES, PART NUMBER 381333-404.

COMMON ALARM & NOT IN AUTO SIGNALING FEATURES

A SET OF FORM C CONTACTS IS PROVIDED ON THE GROUP G CONTROLLER AS "OP1". THE FEATURE SETTING OF "OP1" CAN BE SET TO OPERATE THE CONTACTS AS A "NOT IN AUTO" SIGNAL.

WHEN "OP1" IS SET FOR "NOT IN AUTO", THE OUTPUT CONTACTS CHANGE POSITION WHEN THE TRANSFER IS BEING INHIBITED FROM TRANSFERRING TO THE EMERGENCY SOURCE (FEATURE 34B) OR THE TRANSFER SWITCH HAS BEEN SET FOR NON-AUTOMATIC (MANUAL) OPERATION.

WHEN OPTIONAL ACCESSORY 11BE "SOFTWARE BUNDLE" IS PART OF THE TRANSFER SWITCH ASSEMBLY, "OP1" MAY ALTERNATIVELY SET FOR A "COMMON ALARM" SIGNAL. THE OUTPUT CONTACTS CHANGE POSITION WHEN A "COMMON ALARM" IS NOT PRESENT AND RESET WHEN A "COMMON ALARM" CONDITION IS PRESENT. THE "COMMON ALARM" SIGNAL CONDITIONS ARE SELECTABLE.

ADDITIONAL "COMMON ALARM" AND "NOT IN AUTO" CONTACTS ARE AVAILABLE WHEN OPTIONAL ACCESSORY 18RX (RELAY EXPANSION MODULE) IS INCLUDED IN THE TRANSFER SWITCH ASSEMBLY. OUTPUT CONTACTS "OP2 AND/OR "OP3" WILL PROVIDE SIGNAL FUNCTIONS WHEN THE FEATURE SETTING OF EACH IS SET TO OPERATE AS "COMMON ALARM" OR "NOT IN AUTO".

CONTACTS ARE RATED 5 AMPS RESISTIVE AT 30 VDC MAXIMUM, 100 mA AT 5 VDC MINIMUM.

REFER TO USER'S GUIDE, ASCO GROUP G CONTROLLER FOR AUTOMATIC & NON-AUTOMATIC TRANSFER SWITCHES, PART NUMBER 381333-400 FOR SETTING INFORMATION.

NON-AUTOMATIC (MANUAL) OPERATION

TRANSFER SWITCH ASSEMBLIES FACTORY SET FOR NON-AUTOMATIC OPERATION PROVIDE USER INITIATED, ELECTRICAL OPERATION OF THE TRANSFER SWITCH TO EITHER AVAILABLE SOURCE. THE TRANSFER SWITCH ASSEMBLY IS PHYSICALLY IDENTICAL TO THAT OF THE AUTOMATIC TYPE.

WHEN THE TRANSFER SWITCH IS SET FOR NON-AUTOMATIC OPERATION, A CUSTOMER PROVIDED SELECTOR SWITCH MAY BE USED TO OPERATE IT FROM A REMOTE LOCATION.

REMOTE CONTROL FEATURES

THE FOLLOWING CONTROL PANEL INPUTS PROVIDE REMOTE CONTROL FUNCTIONS FOR THE TRANSFER SWITCH. EACH FUNCTION CAN BE IMPLEMENTED BY THE CUSTOMER PROVIDING THE FORM OF CONTROL DESCRIBED. EACH CONTROL CONTACT MUST BE SUITABLE FOR A 5 VDC LOW ENERGY CIRCUIT.

EXTERNAL FEATURE 17: REMOTE TRANSFER TO EMERGENCY FEATURE (FOR AUTOMATIC TRANSFER TYPE ONLY) - REQUIRES A CUSTOMER SUPPLIED, NORMALLY CLOSED CONTACT. OPENING OF THE CONTACT CAUSES ENGINE START AND TRANSFER TO THE EMERGENCY SOURCE. RE-CLOSURE OF THE CONTACT ACTIVATES THE FEATURE 3A "RETRANSFER TO NORMAL (IF JUST TEST) TIME DELAY PRIOR TO RETRANSFER. IN THE EVENT THAT THE EMERGENCY SOURCE FAILS WHILE THE TRANSFER SWITCH IS CONNECTED TO EMERGENCY AND THE CUSTOMER SUPPLIED CONTACT IS OPEN, THE TRANSFER SWITCH WILL AUTOMATICALLY RETRANSFER TO THE NORMAL SOURCE.

EXTERNAL FEATURE 6B: REMOTE BYPASS OF RETRANSFER TO NORMAL TIME DELAY - REQUIRES A CUSTOMER SUPPLIED, NORMALLY CLOSED CONTACT. OPENING OF THE CONTACT BYPASSES FEATURE 3A RETRANSFER TO NORMAL DELAY IF ACTIVE.

REFER TO USER'S GUIDE, ASCO GROUP G CONTROLLER FOR AUTOMATIC & NON-AUTOMATIC TRANSFER SWITCHES, PART NUMBER 381333-400 FOR SETTING INFORMATION.

ENGINE CONTROL CONTACTS

FEATURE 7 & FEATURE 8:
ONE SET OF FORM C CONTACTS "NR" (FEAT. 7 N/C, FEAT. 8 N/O) THAT CHANGE POSITION ON EXPIRATION OF THE FEATURE 1C, OVERRIDE MOMENTARY NORMAL SOURCE OUTAGES TIME DELAY, AND RESET ON EXPIRATION OF THE FEATURE 2E ENGINE COOLDOWN TIME DELAY.
AN AUXILIARY CONTACT THAT IS CLOSED WHEN THE TRANSFER SWITCH IS CONNECTED TO THE EMERGENCY SOURCE, IS CONNECTED ACROSS THE N/C CONTACT (FEATURE 7).

AN ADDITIONAL SET OF ENGINE STARTING CONTACTS ARE AVAILABLE ON THE GROUP G CONTROLLER WHEN THE FEATURE SETTING OF THE CONTROLLER OUTPUT CONTACTS "OP1" IS SET TO OPERATE AS "NR2".

ADDITIONAL, OPTIONAL ENGINE STARTING CONTACTS "NR2" ARE AVAILABLE WHEN OPTIONAL ACCESSORY 18RX (RELAY EXPANSION MODULE) IS INCLUDED IN THE TRANSFER SWITCH ASSEMBLY. OUTPUT CONTACTS "OP2" AND/OR "OP3" PROVIDE THE ENGINE STARTING FUNCTION WHEN THE FEATURE SETTING OF EACH IS SET TO OPERATE AS "NR2".

CONTACTS ARE RATED 5 AMPS RESISTIVE AT 30 VDC MAXIMUM, 100 mA AT 5 VDC MINIMUM.

REFER TO USER'S GUIDE, ASCO GROUP G CONTROLLER FOR AUTOMATIC & NON-AUTOMATIC TRANSFER SWITCHES, PART NUMBER 381333-400 FOR SETTING INFORMATION.

EXTERNAL POWER SUPPLY COMPATIBILITY

USE OF AN EXTERNAL POWER SUPPLY IS USEFUL WHEN REQUIRED TO EXTEND THE FOLLOWING CONTROLLER TIME DELAYS BEYOND 6 SECONDS:

FEATURE 1C - OVERRIDE MOMENTARY NORMAL SOURCE OUTAGES
FEATURE 1F - OVERRIDE MOMENTARY EMERGENCY SOURCE OUTAGES

AN EXTERNAL POWER SUPPLY IS ALSO USEFUL WHEN THE TRANSFER SWITCH IS USED WITH COMMUNICATIONS FEATURES BY ENABLING THE CONTROLLER TO CONTINUE COMMUNICATING.

AN EXTERNAL POWER SOURCE MAY BE PROVIDED TO THE CONTROLLER, UNTIL THE NORMAL SOURCE OR EMERGENCY SOURCE IS AVAILABLE, BY USE OF:

- AN EXTERNAL 24 VDC POWER SUPPLY WITH ACCESSORY 18RX (RELAY EXPANSION MODULE)
- OR
- OPTIONAL ACCESSORY 1UP (UNINTERRUPTIBLE POWER SUPPLY MODULE)

LOAD DISCONNECT FEATURE

FEATURE 31: INCLUDES SUB-FEATURES 31F, 31G, 31M, 31N
A SET OF FORM C CONTACTS ARE PROVIDED ON THE GROUP G CONTROLLER AS "OP1". WHEN THE FEATURE SETTING OF "OP1" IS SET TO OPERATE THE CONTACTS AS "FEATURE 31", THE TIME DELAY SETTINGS OF THE SUB-FEATURES ARE AVAILABLE.

"OP1" CAN BE SET TO OPERATE TO PROVIDE THE FOLLOWING FUNCTIONS USING THE TIME DELAY SETTINGS ASSOCIATED WITH EACH SUB-FEATURE:

31F - NORMAL TO EMERGENCY PRE-TRANSFER SIGNAL
31G - EMERGENCY TO NORMAL PRE-TRANSFER SIGNAL
31M - NORMAL TO EMERGENCY POST-TRANSFER SIGNAL
31N - EMERGENCY TO NORMAL POST TRANSFER SIGNAL

THE "OP1" OUTPUT CONTACTS CHANGE POSITION FOLLOWING EACH OF THE ABOVE TIME DELAYS.

ADDITIONAL LOAD DISCONNECT CONTACTS, "FEATURE 31" ARE AVAILABLE WHEN OPTIONAL ACCESSORY 18RX (RELAY EXPANSION MODULE) IS INCLUDED IN THE TRANSFER SWITCH ASSEMBLY. OUTPUT CONTACTS "OP2 AND/OR "OP3" WILL PROVIDE LOAD DISCONNECT FUNCTIONS WHEN THE FEATURE SETTING OF EACH IS SET TO OPERATE AS "FEATURE 31".

ALL OUTPUT CONTACTS ("OP1", "OP2", "OP3") SET TO OPERATE AS "FEATURE 31", SHARE THE COMMON TIME DELAY SETTINGS OF SUB-FEATURES 31F, 31G, 31M, AND 31N.

CONTACTS ARE RATED 5 AMPS RESISTIVE AT 30 VDC MAXIMUM, 100 mA AT 5 VDC MINIMUM.

REFER TO USER'S GUIDE, ASCO GROUP G CONTROLLER FOR AUTOMATIC & NON-AUTOMATIC TRANSFER SWITCHES, PART NUMBER 381333-400 FOR SETTING INFORMATION.

EXTERNAL 24 VDC POWER SUPPLY "1G":

AN EXTERNAL 24 VDC POWER SUPPLY MAY BE USED TO POWER THE CONTROLLER WHEN ACCESSORY 18RX (RELAY EXPANSION MODULE) IS INCLUDED IN THE TRANSFER SWITCH ASSEMBLY. OUTPUT CONTACTS "OP2" WILL PROVIDE EXTERNAL 24 VDC POWER SUPPLY FUNCTIONALITY WHEN ITS FEATURE SETTING IS SET TO OPERATE AS "1G". ADDITIONALLY, JUMPERS MUST BE RECONFIGURED ON ACCESSORY 18RX (RELAY EXPANSION MODULE) TO ENABLE THIS FUNCTION AS FOLLOWS:

REMOVE JUMPERS "J1" 1-2 & "J1" 3-4
CONNECT JUMPERS "J1" 5-7 & "J1" 6-8

THE OUTPUT CONTACTS CHANGE POSITION WHEN EITHER THE NORMAL SOURCE OR EMERGENCY SOURCE IS AVAILABLE AND RESET WHEN NEITHER SOURCE IS AVAILABLE. THE "OP2" N/C CONTACT SWITCHES CUSTOMER PROVIDED +24 VDC FROM THE EXTERNAL POWER SUPPLY TO THE CONTROLLER.

REFER TO USER'S GUIDE, ASCO GROUP G CONTROLLER FOR AUTOMATIC & NON-AUTOMATIC TRANSFER SWITCHES, PART NUMBER 381333-400 FOR SETTING INFORMATION.

ACCESSORY 1UP (UNINTERRUPTIBLE POWER SUPPLY):
WHEN OPTIONAL ACCESSORY 1UP IS INCLUDED IN THE TRANSFER SWITCH ASSEMBLY, THE CONTROLLER IS PROVIDED WITH LIMITED RESERVE POWER (APPROXIMATELY 3 MINUTES).

INPHASE TRANSFER FEATURE FOR LOAD TRANSFER

INPHASE TRANSFER CONTROL INITIATES AN INPHASE TRANSFER OF LOADS BETWEEN LIVE SOURCES. THIS IS USED TO PREVENT NUISANCE TRIPPING OF DISTRIBUTION CIRCUIT BREAKERS AND POSSIBLE DAMAGE TO MECHANICAL LOADS ASSOCIATED WITH OUT OF PHASE TRANSFER.

REFER TO USER'S GUIDE, ASCO GROUP G CONTROLLER FOR AUTOMATIC & NON-AUTOMATIC TRANSFER SWITCHES, PART NUMBER 381333-400 FOR SETTING INFORMATION.

LOAD CURRENT METERING

WHEN OPTIONAL ACCESSORY 23GB IS PART OF THE TRANSFER SWITCH ASSEMBLY, THREE PHASE CURRENT MEASUREMENTS ARE AVAILABLE FOR DISPLAY ON THE GROUP G CONTROLLER.

REFER TO USER'S GUIDE, ASCO GROUP G CONTROLLER FOR AUTOMATIC & NON-AUTOMATIC TRANSFER SWITCHES, PART NUMBER 381333-400 FOR INFORMATION ON USE.

SOURCE AVAILABILITY SIGNALS

SIGNALS INDICATING THE AVAILABILITY OF THE NORMAL & EMERGENCY SOURCES IS PROVIDED WHEN OPTIONAL ACCESSORY 18RX (RELAY EXPANSION MODULE) IS INCLUDED IN THE TRANSFER SWITCH ASSEMBLY. OUTPUT CONTACTS "RL5" (EMERGENCY SOURCE AVAILABLE) AND "RL6" (NORMAL SOURCE AVAILABLE) CHANGE POSITION WHEN THE SOURCE IS ACCEPTABLE.

CONTACTS ARE RATED 5 AMPS RESISTIVE AT 30 VDC MAXIMUM, 100 mA AT 5 VDC MINIMUM.

ADVANCED-FUNCTION SOFTWARE BUNDLE

WHEN OPTIONAL ACCESSORY 11BE IS PART OF THE TRANSFER SWITCH ASSEMBLY, AN ADVANCED-FUNCTION SOFTWARE BUNDLE IS AVAILABLE TO PERFORM THE FOLLOWING FUNCTIONS:

- SERIAL COMMUNICATIONS (RS-485)
- PROGRAMMABLE ENGINE EXERCISER
- EVENT LOG
- COMMON ALARM SIGNAL CAPABILITY ON GROUP G CONTROLLER "OP1" OUTPUT.

(3 PHASE SENSING ONLY)
- 3 PHASE EMERGENCY SOURCE SENSING.
- PHASE ROTATION SENSING.
- EMERGENCY VOLTAGE UNBALANCE SENSING.

REFER TO USER'S GUIDE, ASCO GROUP G CONTROLLER FOR AUTOMATIC & NON-AUTOMATIC TRANSFER SWITCHES, PART NUMBER 381333-400 FOR INFORMATION ON THESE FUNCTIONS.

NOTES

- SWITCH SHOWN DE-ENERGIZED CONNECTED TO NORMAL SOURCE.
- DEVICE SYMBOLS AND DESIGNATIONS ARE IN ACCORDANCE WITH NEMA PUB. ICS 1, PART 1-101A.
- ALL WIRING IS #16 AWG, TINNED, STRANDED COPPER UNLESS OTHERWISE INDICATED.
- INDICATES CUSTOMER CONNECTION POINTS.
- INDICATES FACTORY CONNECTION POINTS.
- CONNECTION POINTS THAT HAVE BOTH CUSTOMER CONNECTIONS AND FACTORY CONNECTIONS ARE SHOWN OPEN AS CUSTOMER CONNECTION POINTS.
- THE TRANSFER UNIT IS MOUNTED ON THE BACK INSIDE SURFACE OF THE ENCLOSURE. THE CONTROL PANEL AND ANY OPTIONAL ACCESSORIES ARE MOUNTED ON THE INSIDE SURFACE OF THE DOOR.
- AN OPERATOR'S MANUAL IS FURNISHED WITH EACH AUTOMATIC TRANSFER SWITCH. REFER TO THIS PUBLICATION PRIOR TO INSTALLATION AND OPERATION OF THE SWITCH.
- GROUND STRAP ON CONTROL PANEL IS AFFIXED TO CHASSIS (ENCLOSURE) AT LOWER LEFT CONTROL PANEL MOUNTING STUD.

CATALOG NUMBER SUFFIXES										EXPLANATION OF CATALOG NUMBER CODES											
TS FRAME	CATALOG TYPE	NEUTRAL TYPE	PHASE POLES	AMPS	VOLT CODE	CONTROLLER	OPTIONAL ACCESSORY	ENCLOSURE CODE		NEUTRAL TYPE	VOLTAGE CODES 3 PHASE (3 OR 4 WIRE) 50 OR 60 Hz	ENCLOSURE CODES									
										CODE	DESCRIPTION	CODE	TYPE	DESCRIPTION							
J	3ATS 3NTS	A B	3	260 400	C D E F G H J K L M N P Q R	G	X	C F G H L M N P Q		A B	SOLID SWITCHING	BLANK C	1	OPEN TYPE (NO ENCLOSURE) GENERAL PURPOSE, INDOOR							
										C	208	F	3R	OUTDOOR, RAINPROOF, SLEET & ICE RESISTANT							
										D	220	G	4	INDOOR/OUTDOOR, WATERTIGHT & DUSTTIGHT							
										E	230	H	4X	TYPE 4 PLUS CORROSION RESISTANCE (STAINLESS STEEL)							
										F	240	L	12	INDOOR, INDUSTRIAL ENVIRONMENTS, OILTIGHT & DUSTTIGHT							
										G	277			(SECURE ENCLOSURES)							
										H	380	M	3R	OUTDOOR, RAINPROOF, SLEET & ICE RESISTANT							
										I	415	N	4	INDOOR/OUTDOOR, WATERTIGHT & DUSTTIGHT							
										J	440	P	4X	TYPE 4 PLUS CORROSION RESISTANCE (STAINLESS STEEL)							
										K	480	Q	12	INDOOR, INDUSTRIAL ENVIRONMENTS, OILTIGHT & DUSTTIGHT							
										L	460										
										M	480										
										N	550*										
										P	575*										
										Q	600*										
										R											

CATALOG NUMBER _____
ASCO® CERTIFIED TO S.O. _____
 BY _____
 DATE _____

B	278555	TR	BK	05/01/19
A	275211	TR	BK	10/15/18
	266255	MKA	JPB	03/27/17

FORM REV B

PROJECT NAME: _____

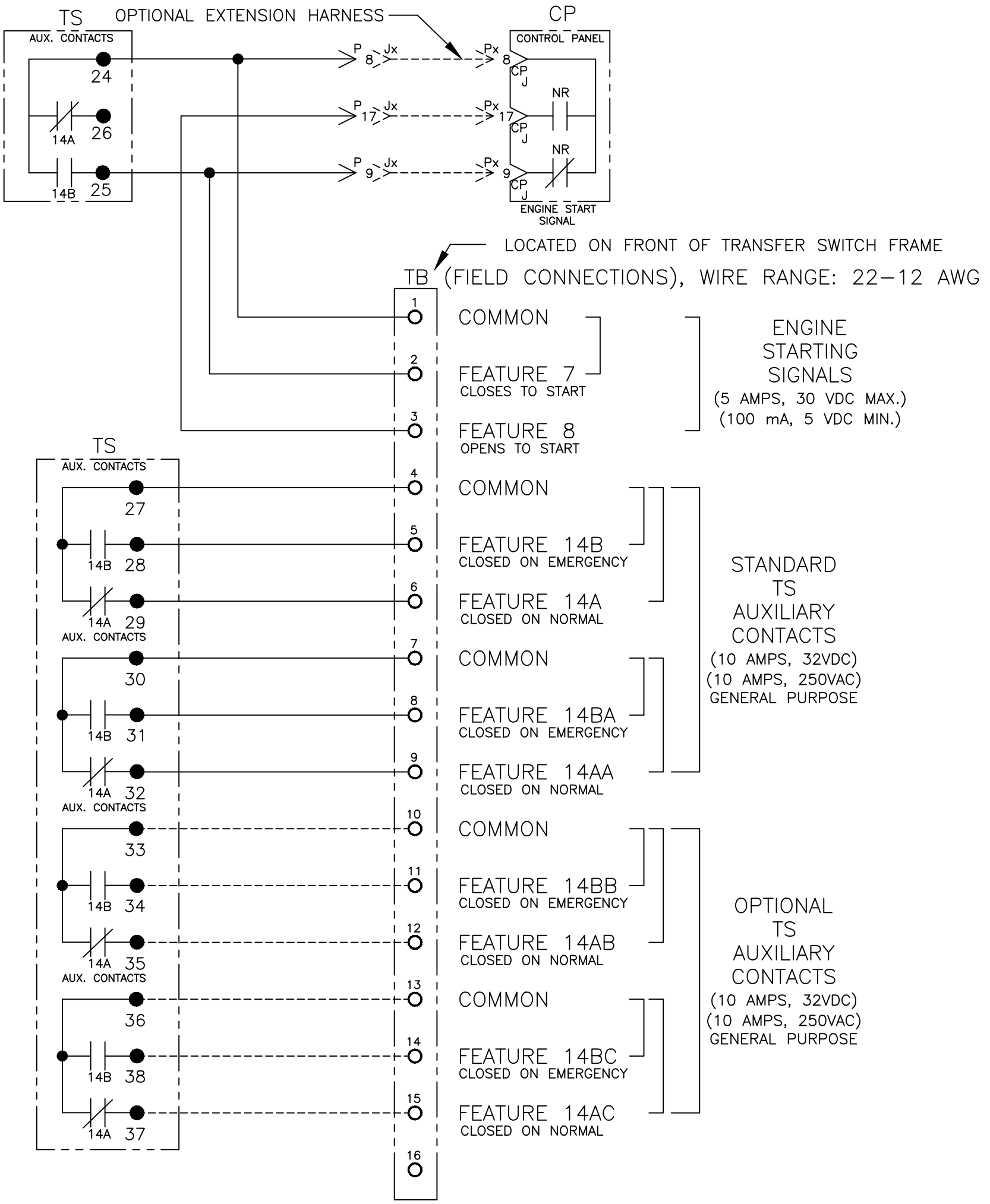
WIRING _____ DIAGRAM _____

300 SERIES J3ATS/J3NTS, THREE PHASE 260 & 400 AMPS
 "J" FRAME, GROUP G CONTROLS

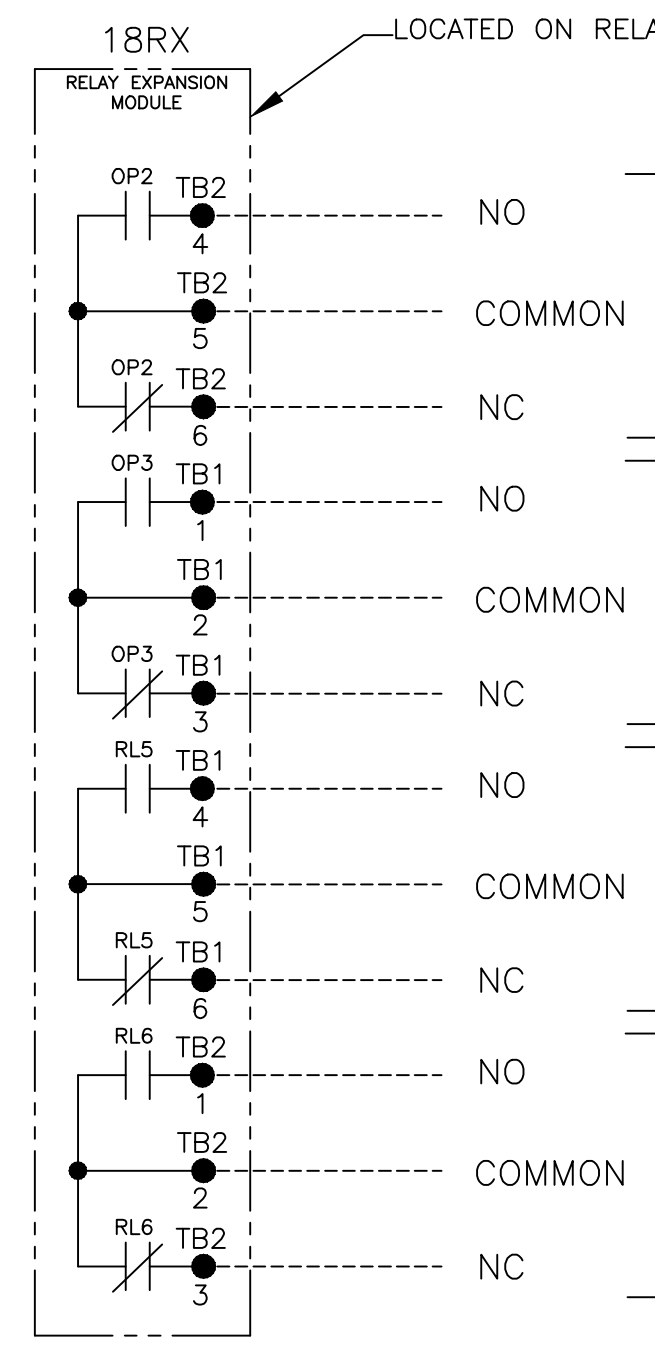
THIRD ANGLE PROJECTION

DRAWN BY	BY	DATE	MANUFACTURING TOLERANCES TO BE IN ACCORDANCE WITH ASCO PROCEDURE MP-1-003. FOR PLASTIC PARTS SEE MP-1-035	ASSEM. REF. NO.	SCALE	NONE	SIZE	DS
MKA		03/27/17						
CHECKED	PROJECT APPROVAL	FINAL APPROVAL	PROPERTY OF ASCO POWER TECHNOLOGIES. USE PERMITTED FOR OUR WORK ONLY. ALL RIGHTS OF DESIGN OR INVENTION ARE RESERVED.		COMPUTER GENERATED DRAWING			
		JPB	03/27/17		DWG. NO. 1184913			
					DRAWING B REV. 1 OF 6			

ASCO® ASCO Power Technologies, L.P.
 FLOHAM PARK, NEW JERSEY 07932 U.S.A.



OPTIONAL ACCESSORY 18RX (RELAY EXPANSION MODULE)

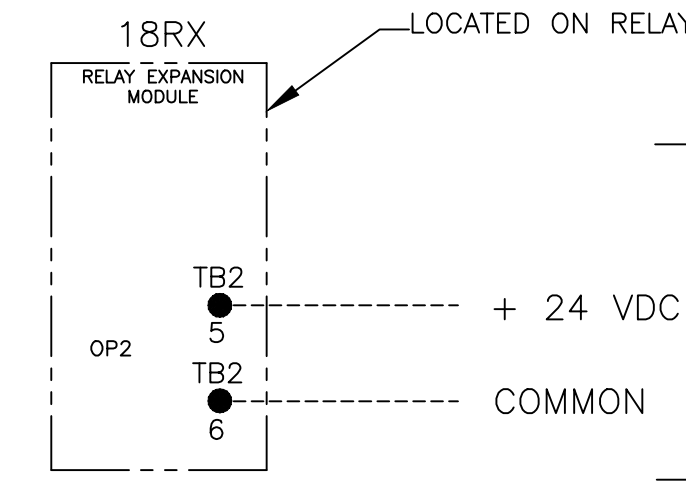


OPTION RELAY "OP2"
AS OUTPUT RELAY
SET JUMPERS
J1: 1-2 & 3-4
(5 AMPS, 30 VDC MAX.)
(100 mA, 5 VDC MIN.)
REFER TO USER'S GUIDE
PN 381333-400
FOR SETTING INFORMATION.

OPTION RELAY "OP3"
(5 AMPS, 30 VDC MAX.)
(100 mA, 5 VDC MIN.)
REFER TO USER'S GUIDE
PN 381333-400
FOR SETTING INFORMATION.

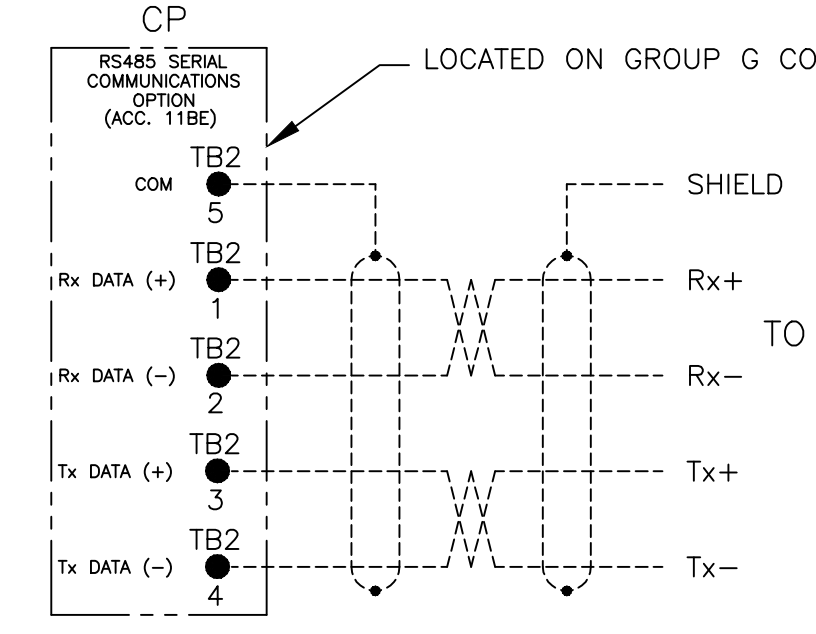
EMERGENCY SOURCE
ACCEPTABLE
SIGNAL
(5 AMPS, 30 VDC MAX.)
(100 mA, 5 VDC MIN.)

NORMAL SOURCE
ACCEPTABLE
SIGNAL
(5 AMPS, 30 VDC MAX.)
(100 mA, 5 VDC MIN.)



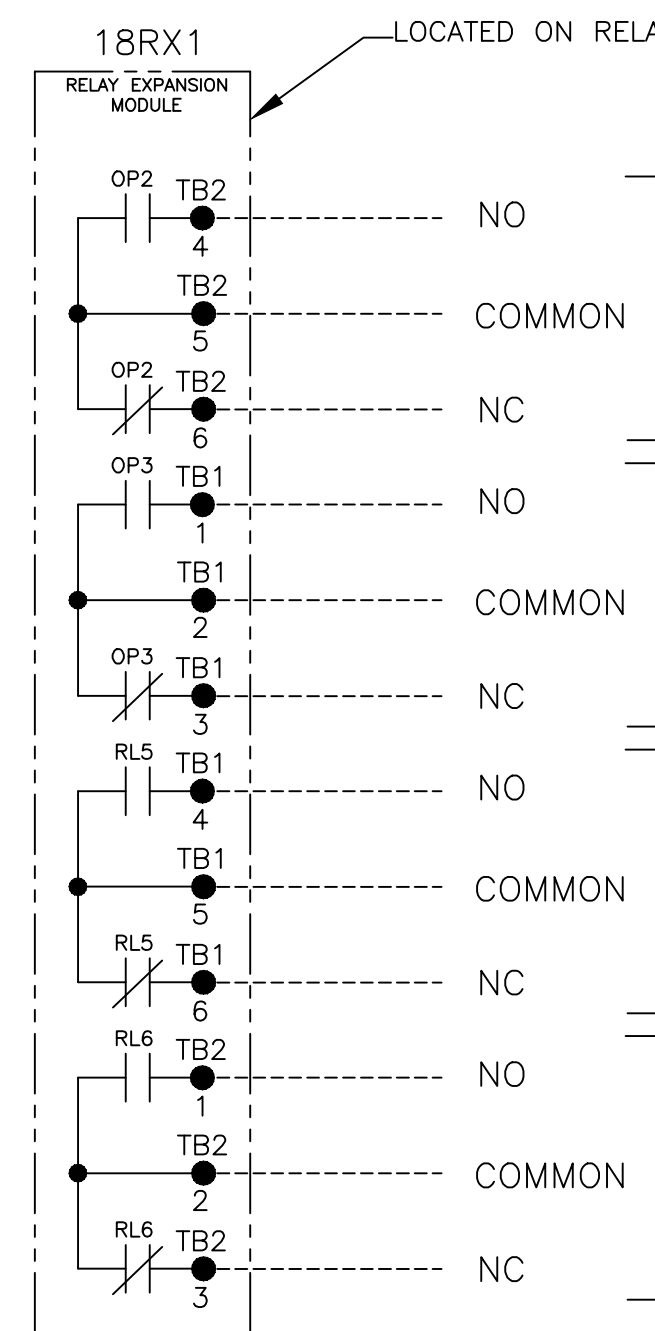
OPTION RELAY "OP2"
AS EXTERNAL POWER
SUPPLY INPUT
"1G"
SET JUMPERS AS FOLLOWS:
REMOVE JUMPERS "J1" 1-2 & "J1" 3-4
CONNECT JUMPERS "J1" 5-7 & "J1" 6-8
(24 VDC NOM., 15 W MAX.)
INPUT RANGE: 21.6 VDC MIN.
27.6 VDC MAX.
REFER TO USER'S GUIDE PN 381333-400
FOR SETTING INFORMATION.

RS485 SERIAL COMMUNICATIONS OPTION
AVAILABLE WITH OPTIONAL ACCESSORY 11BE: ADVANCED-FUNCTION SOFTWARE BUNDLE
REFER TO USER'S GUIDE PN 381333-400 FOR SETTING INFORMATION.



NOTES:
1. EARTH GROUND SHIELD AT HOST DEVICE ONLY.
2. FIELD WIRING: USE UL LISTED, STRANDED,
TWISTED PAIRS, OVERALL FOIL SHIELD WITH
STRANDED DRAIN WIRE SUITABLE FOR RS422
EQUIVALENT TO:
(STANDARD 80°C) BELDEN 9842 OR 9829
OR ALPHA 6202C OR 6222C
(PLENUM RATED) BELDEN 89729 OR 82729
OR ALPHA 58902

OPTIONAL ACCESSORY 18RX1 (SECOND RELAY EXPANSION MODULE)



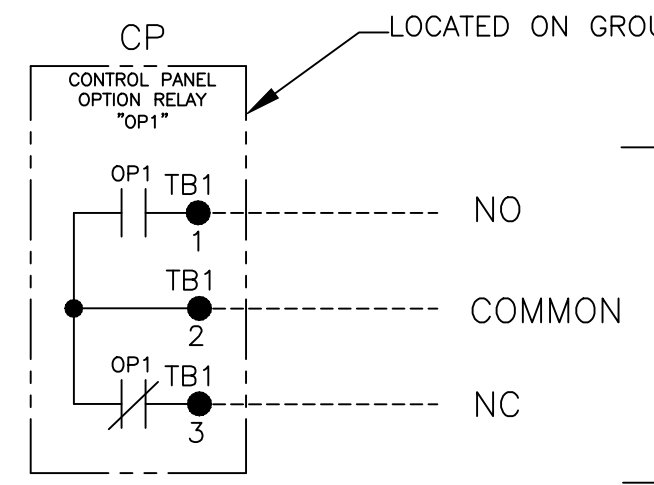
OPTION RELAY "OP2"
SET JUMPERS
J1: 1-2 & 3-4
(5 AMPS, 30 VDC MAX.)
(100 mA, 5 VDC MIN.)
REFER TO USER'S GUIDE
PN 381333-400
FOR SETTING INFORMATION.

OPTION RELAY "OP3"
(5 AMPS, 30 VDC MAX.)
(100 mA, 5 VDC MIN.)
REFER TO USER'S GUIDE
PN 381333-400
FOR SETTING INFORMATION.

EMERGENCY SOURCE
ACCEPTABLE
SIGNAL
(5 AMPS, 30 VDC MAX.)
(100 mA, 5 VDC MIN.)

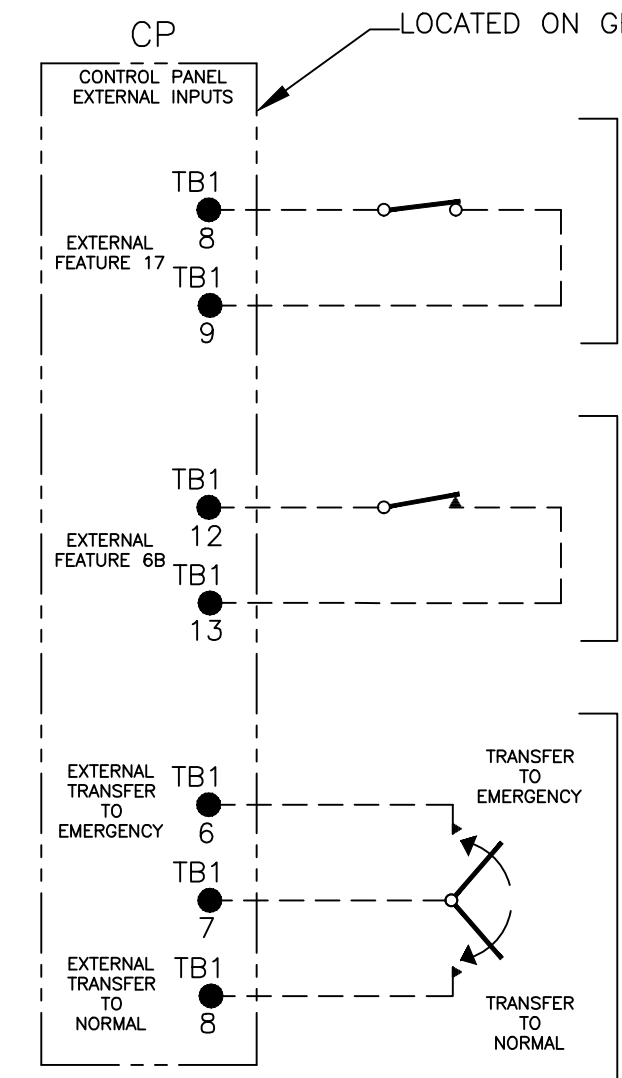
NORMAL SOURCE
ACCEPTABLE
SIGNAL
(5 AMPS, 30 VDC MAX.)
(100 mA, 5 VDC MIN.)

CONTROLLER OPTION RELAY "OP1" (STANDARD)



OPTION RELAY "OP1"
(5 AMPS, 30 VDC MAX.)
(100 mA, 5 VDC MIN.)
REFER TO USER'S GUIDE
PN 381333-400
FOR SETTING INFORMATION.

CONTROLLER REMOTE CONTROL FEATURES



EXTERNAL FEATURE 17
REMOTE TRANSFER
TO EMERGENCY
[AUTOMATIC TRANSFER TYPE ONLY]
OPEN TO TRANSFER TO EMERGENCY
(N/C CONTACT, 5VDC LOW ENERGY RATING)
REFER TO USER'S GUIDE PN 381333-400
FOR SETTING INFORMATION.

EXTERNAL FEATURE 6B
REMOTE BYPASS OF RETRANSFER
TO NORMAL TIME DELAY
OPEN TO BYPASS TIME DELAY
(MOMENTARY N/C CONTACT,
5VDC LOW ENERGY RATING)
REFER TO USER'S GUIDE PN 381333-400
FOR SETTING INFORMATION.

EXTERNAL MANUAL TRANSFER
REMOTE TRANSFER TO
NORMAL OR EMERGENCY
[NON-AUTOMATIC TRANSFER TYPE ONLY]
(MOMENTARY SPDT, CENTER-OFF CONTACTS,
5VDC LOW ENERGY RATING)

B	278555	TR	BK	05/01/19
	SEE ECN			
A	275211	TR	BK	10/15/18
	SEE ECN			
	266255	MKA	JPB	03/27/17
	ISSUE			

PROJECT NAME:		WIRING		DIAGRAM	
300 SERIES J3ATS/J3NTS, THREE PHASE 260 & 400 AMPS "J" FRAME, GROUP G CONTROLS					
DRAWN BY	DATE	MANUFACTURING TOLERANCES TO BE IN ACCORDANCE WITH ASCO PROCEDURE MP-1-003. FOR PLASTIC PARTS SEE MP-1-035	ASSEM. REF. NO.	SCALE	SIZE
CHKD BY	DATE	PROPERTY OF ASCO POWER TECHNOLOGIES. USE PERMITTED FOR OUR WORK ONLY. ALL RIGHTS OF DESIGN OR INVENTION ARE RESERVED.		DS	
PROJECT APPROVAL					
FINAL APPROVAL					
REV. NO.		ECN NO.		BY APP. DATE	
REV. B		ECN 278555		JPB 03/27/17	
DRAWING B			COMPUTER GENERATED DRAWING		
REV. B			DWG. NO. 1184913		
REV. B			SHEET 2 OF 6		



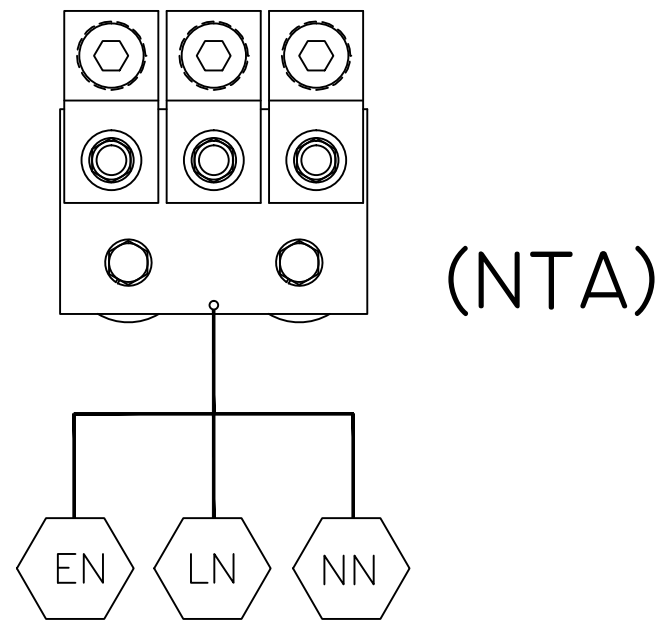
MAIN POWER POLES

TS OPERATOR CIRCUIT

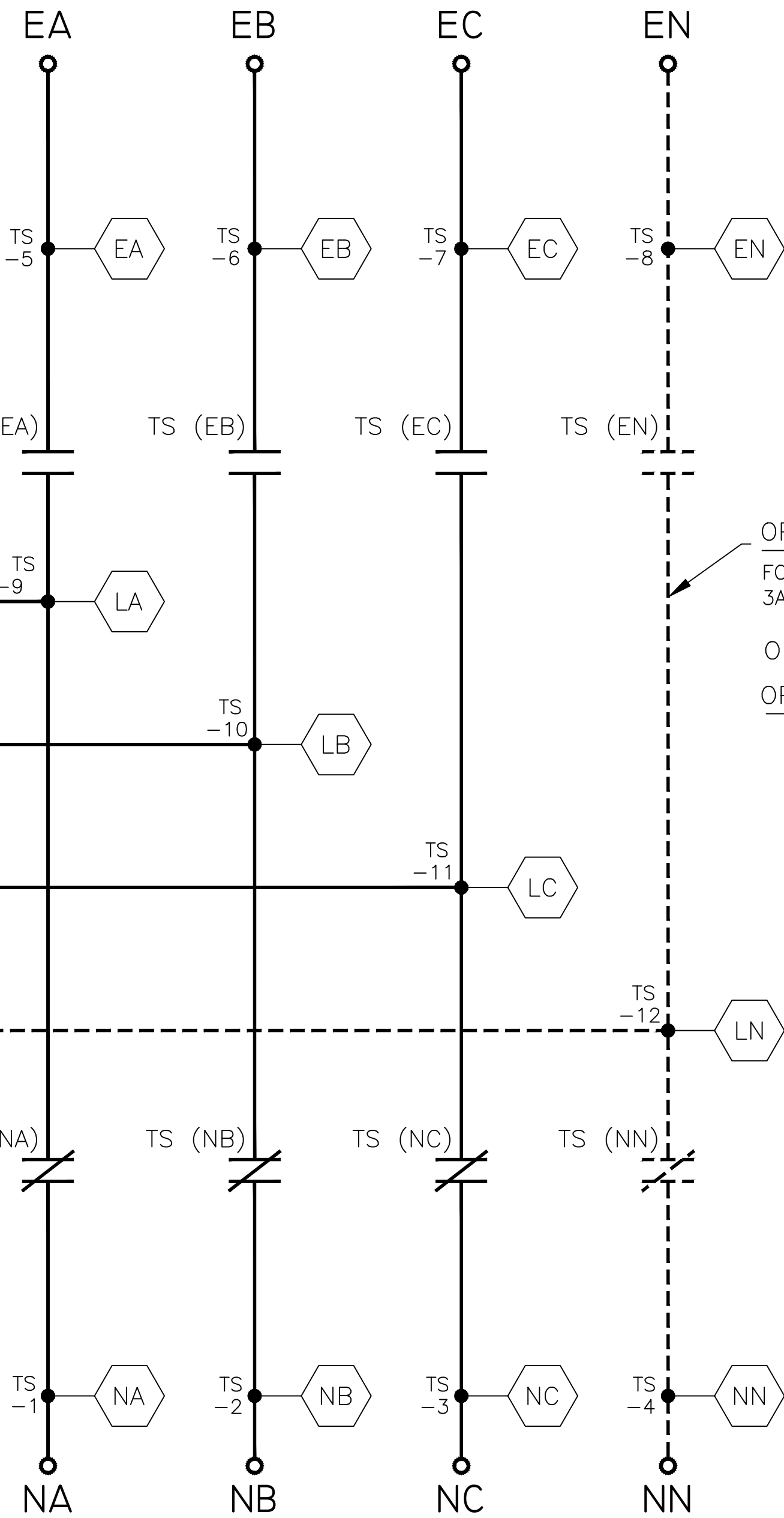
EMERGENCY

NORMAL

OPTIONAL SOLID NEUTRAL
FOR 3ATS AND 3NTS



(NTA)



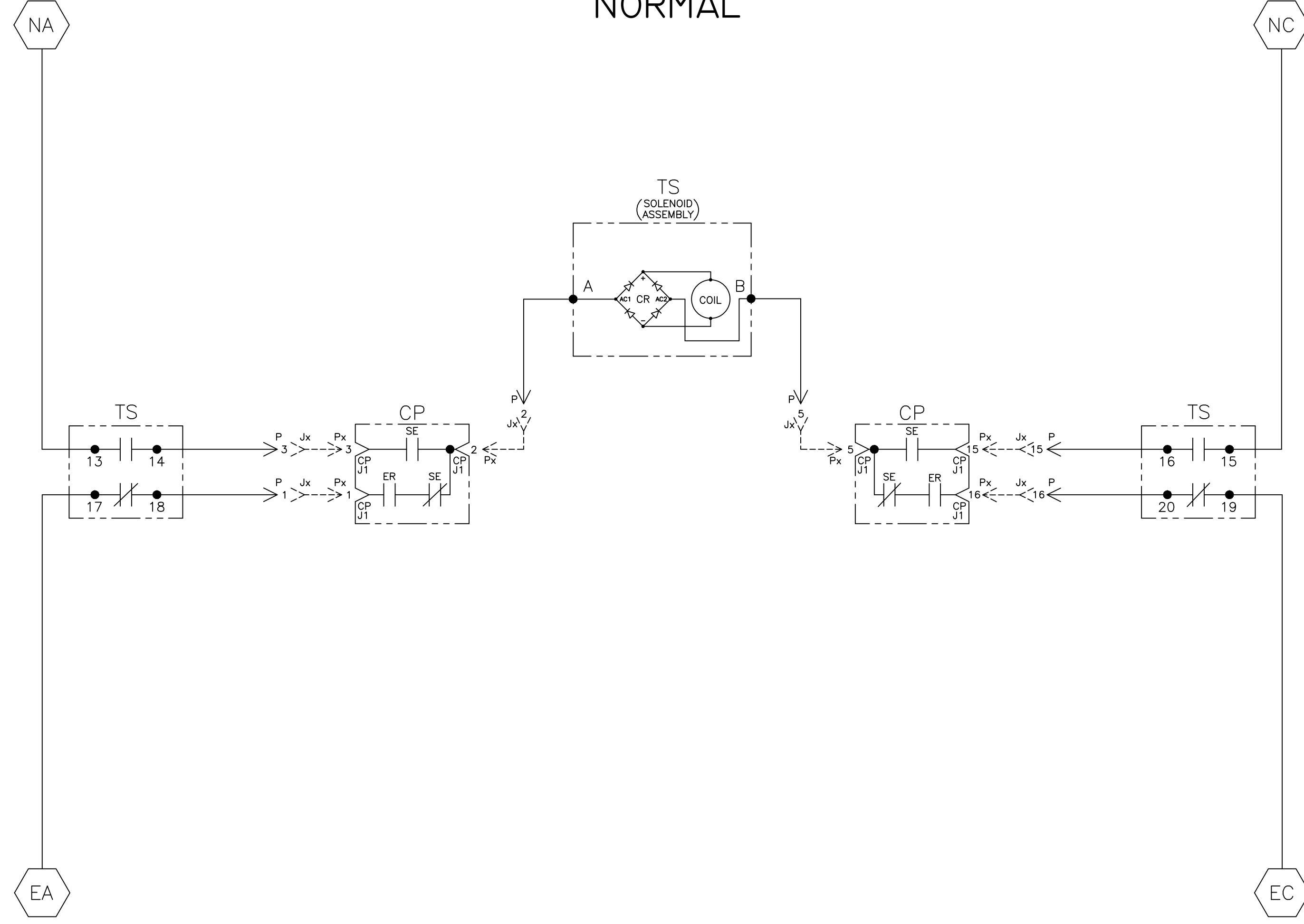
LOAD

OPTIONAL SOLID NEUTRAL
FOR SERVICE ENTRANCE
3A*S AND 3N*S
OR
OPTIONAL SWITCHING NEUTRAL

NORMAL

EMERGENCY

NOTE:
ATS SHOWN CLOSED ON NORMAL SOURCE.



TS	SOLENOID POSITION			
	CLOSED BEFORE NORMAL	BEFORE TDC	BEFORE TDC	CLOSED EMERG
13-14		>	<	
15-16				
17-18				
19-20				

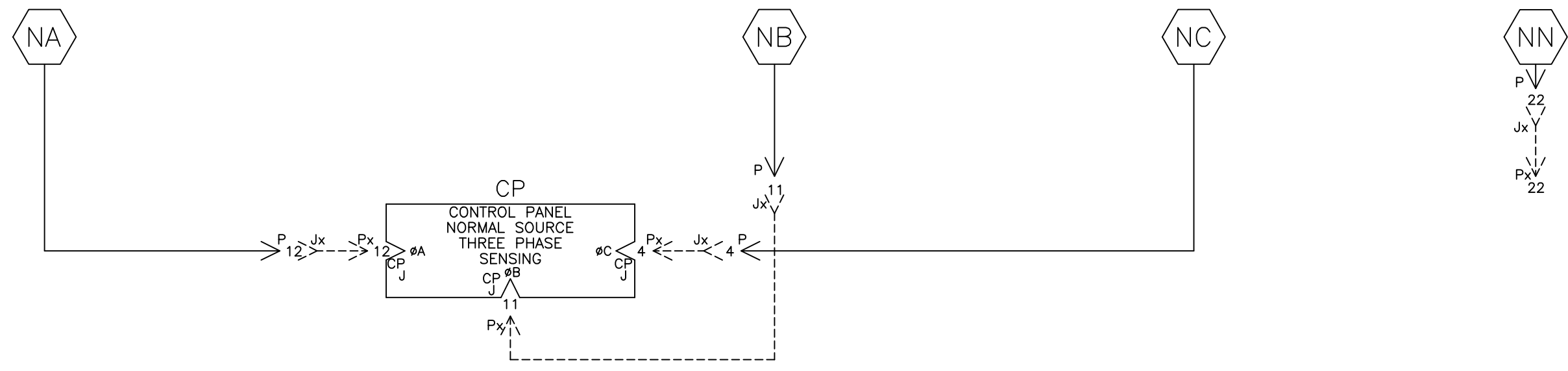
TDC (TOP DEAD CENTER)
TRANSFER SWITCH TEST & ADJUSTMENT PROCEDURE
SPECIFIES CONTROL CUT-OFF (CONTACT OPENING)
SETTING.

PROJECT NAME:		REV. TO SHEET	ECN NO.	BY	APP.	DATE
WIRING DIAGRAM						
300 SERIES J3ATS/J3NTS, THREE PHASE 260 & 400 AMPS "J" FRAME, GROUP G CONTROLS						
DRAWN BY	MKA	DATE	03/27/17	ASSEM. REF. NO.	COMPUTER GENERATED DRAWING	
CHECKED					SCALE	SIZE DS
PROJECT APPROVAL					DWG. NO. 1184913	
FINAL APPROVAL	JPB	DATE	03/27/17		DRAWING B ECN NO. 278555 SHEET 3 OF 6	

ASCO POWER TECHNOLOGIES, L.P.
FLORHAM PARK, NEW JERSEY 07932 U.S.A.

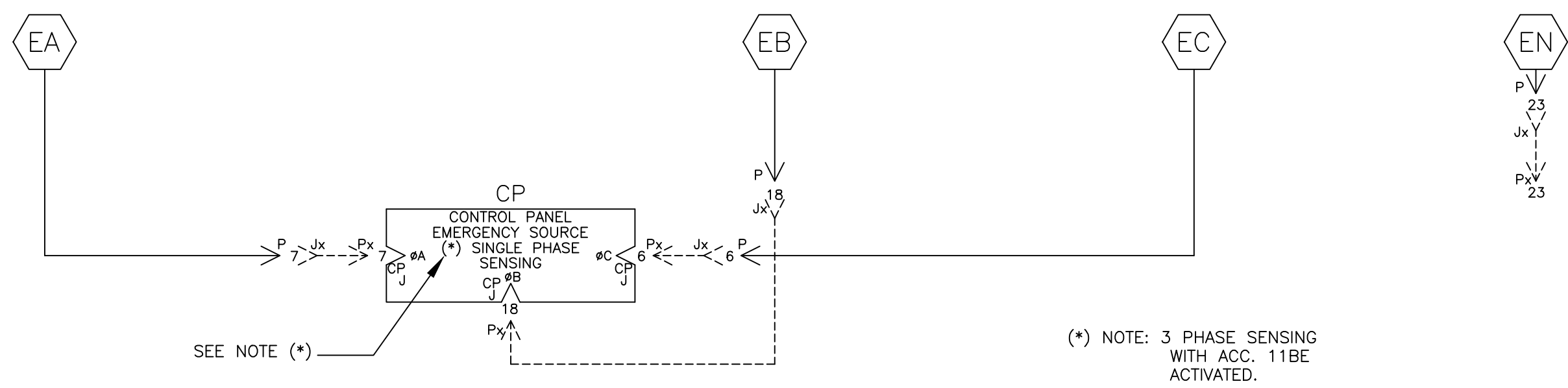
NORMAL SOURCE CIRCUITS

NORMAL



EMERGENCY SOURCE CIRCUITS

EMERGENCY

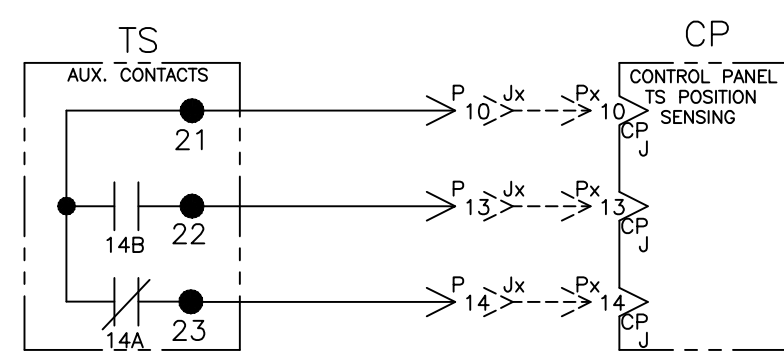


LOAD TERMINAL CIRCUITS

LOAD



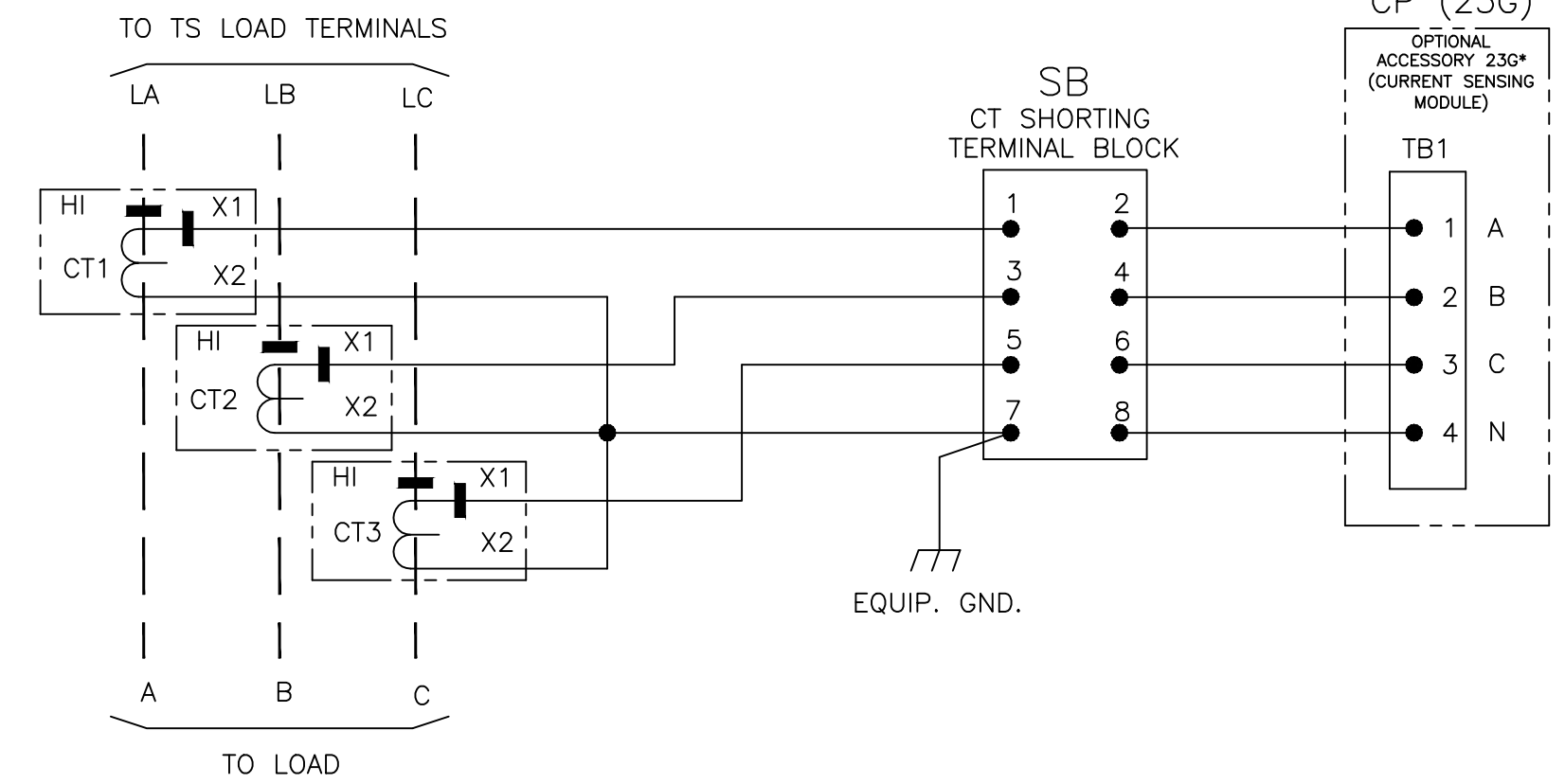
CONTROL SIGNALS & INDICATION



ADDITIONAL CIRCUITS

OPTIONAL ACCESSORY 23GB (LOAD CURRENT METERING)

SWITCH RATING	CT RATIO
260A	300:5A
400A	400:5A



B	278555	TR	BK	05/01/19
	SEE ECN			
A	275211	TR	BK	10/15/18
	SEE ECN			
-	266255	MKA	JPB	03/27/17
	ISSUE			

PROJECT NAME: **WIRING DIAGRAM**

300 SERIES J3ATS/J3NTS, THREE PHASE 260 & 400 AMPS
"J" FRAME, GROUP G CONTROLS

DRAWN BY	MKA	DATE	03/27/17	ASSEM. REF. NO.	
CHECKED					
PROJECT APPROVAL					
FINAL APPROVAL	JPB	03/27/17			

SCALE: NONE SIZE: DS

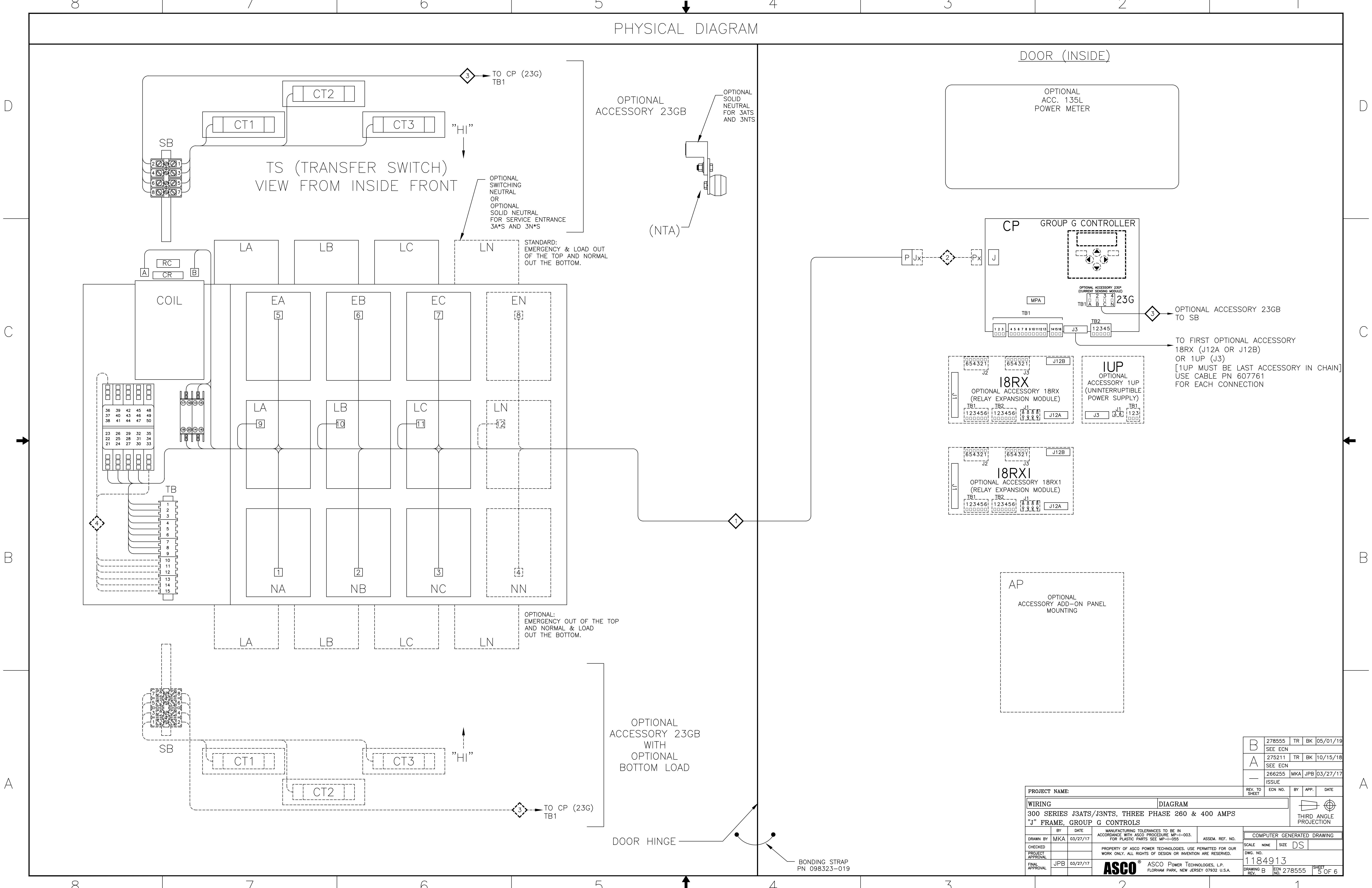
DWG. NO. **1184913**

DRAWING B REV. ECN 278555 SHEET 4 OF 6

PROPERTY OF ASCO POWER TECHNOLOGIES. USE PERMITTED FOR OUR WORK ONLY. ALL RIGHTS OF DESIGN OR INVENTION ARE RESERVED.

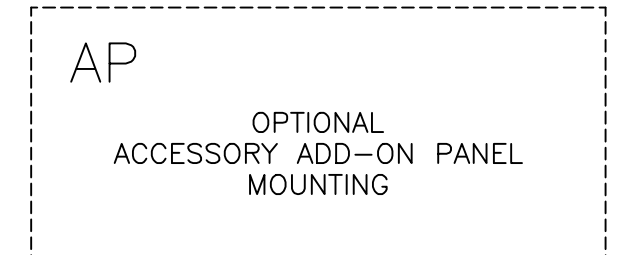
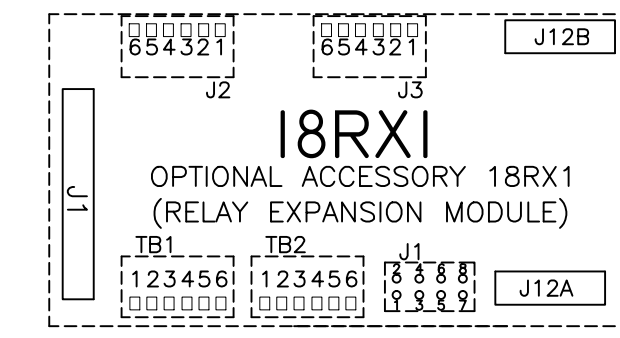
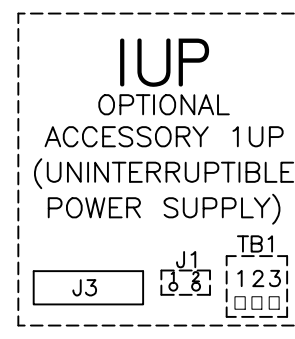
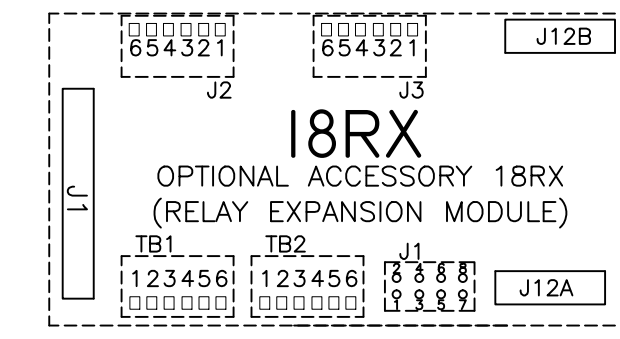
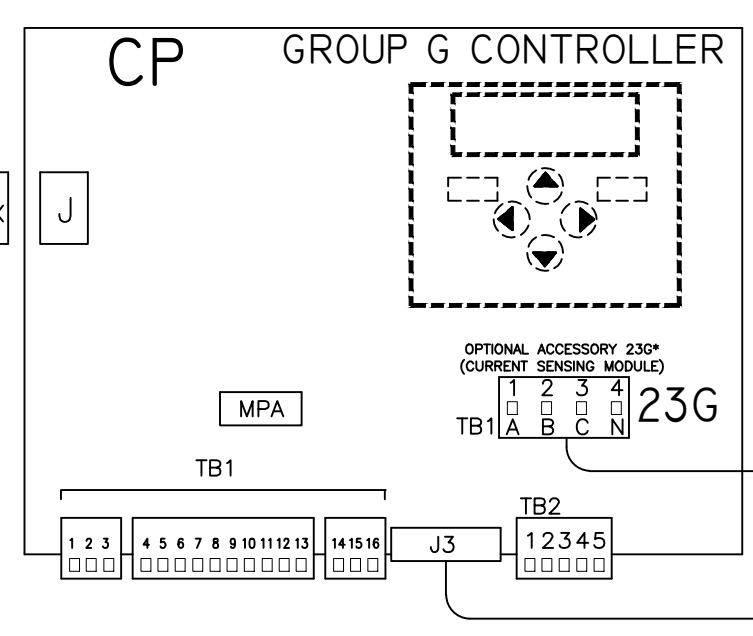
ASCO ASCO POWER TECHNOLOGIES, L.P.
FLORHAM PARK, NEW JERSEY 07932 U.S.A.

PHYSICAL DIAGRAM



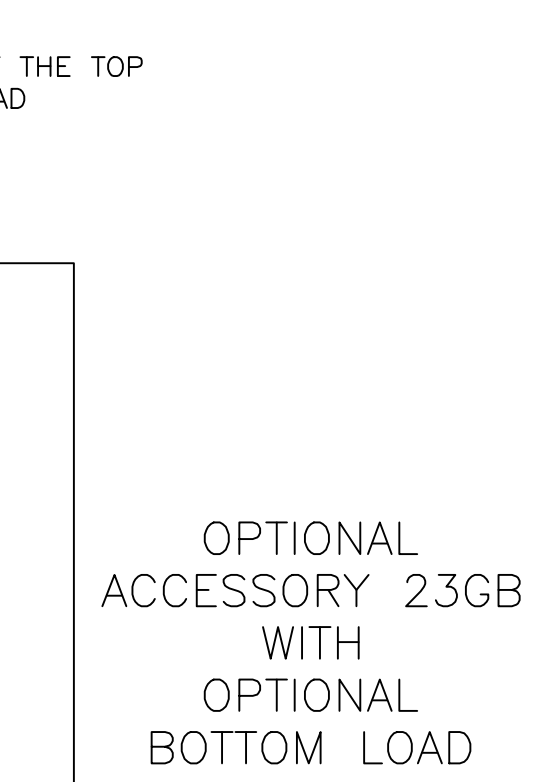
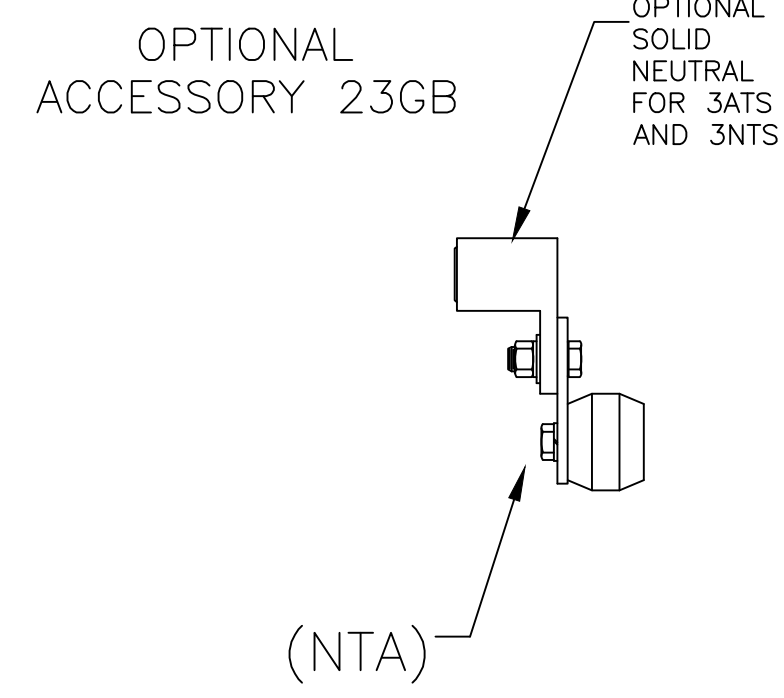
DOOR (INSIDE)

OPTIONAL ACC. 135L POWER METER



OPTIONAL ACCESSORY 23GB TO SB

TO FIRST OPTIONAL ACCESSORY 18RX (J12A OR J12B) OR 1UP (J3)
[1UP MUST BE LAST ACCESSORY IN CHAIN] USE CABLE PN 607761 FOR EACH CONNECTION



DOOR HINGE

BONDING STRAP PN 098323-019

B	278555	TR	BK	05/01/19
SEE ECN				
A	275211	TR	BK	10/15/18
SEE ECN				
-	266255	MKA	JPB	03/27/17
ISSUE				
REV. TO SHEET	ECN NO.	BY	APP.	DATE

PROJECT NAME:		DIAGRAM	
300 SERIES J3ATS/J3NTS, THREE PHASE 260 & 400 AMPS 'J' FRAME, GROUP G CONTROLS			
BY	DATE	MANUFACTURING TOLERANCES TO BE IN ACCORDANCE WITH ASCO PROCEDURE MP-1-003. FOR PLASTIC PARTS SEE MP-1-005	ASSEM. REF. NO.
DRAWN BY	MKA	03/27/17	
CHECKED			
PROJECT APPROVAL			
FINAL APPROVAL	JPB	03/27/17	
SCALE		NONE	
SIZE		DS	
DWG. NO.		1184913	
DRAWING B		ECN NO. 278555	
REV.		5 OF 6	

ASCO POWER TECHNOLOGIES, L.P.
FLORHAM PARK, NEW JERSEY 07932 U.S.A.

EQUIPMENT STORAGE REQUIREMENTS

Equipment provided by Schneider-Electric and/or ASCO Power Technologies that is stored for a short-term duration (i.e., days to weeks) or long-term duration (i.e., months to years), must be kept in a cool, dry, temperature-controlled environment. Storage of equipment in open warehouses, locations without proper temperature and humidity control, and/or outdoor storage is not acceptable without the utilization of heating elements, thermostats, humidistats, and protection from weather and dirt. Failure to comply may result in moisture ingress and/or condensation to form resulting in rusting and or corrosion, component and/or equipment failure and replacement, and/or nullification of any manufacturer warranty.

For **General Instructions for Proper Handling, Installation, Operation, and Maintenance of Deadfront Distribution Switchboards Rated 600 Volts or Less**, refer to [ANSI NEMA PB 2.1-2013](#)

Copies of the following documents should be included on the submittals, depending on the units that are on the proposal:

For ASCO Power Technology's **Switchgear and Switchboards**, refer to Instruction Bulletin **381333-393**.

For Schneider-Electric/Square D's **Power Zone 4 (PZ4) Switchgear**, refer to Instruction Bulletin **80298-002-09**.

For Schneider-Electric/Square D's **Power Zone 4 (PZ4) NEMA 3R Walk-In Switchgear**, refer to Instruction Bulletin **80298-156-02**.

For Schneider-Electric/Square D's **Quality, Efficient, Delivery" (QED2) Switchboard**, refer to Instruction Bulletin **80043-055-14**.

For Schneider-Electric/Square D's **Masterclad Metal-Clad Indoor Switchgear**, refer to Instruction Bulletin **6055-30**.

Limited Warranty

Series 150, 200, 300 and 4000 Power Transfer Switches

This Warranty is given ONLY to purchasers who buy for commercial or industrial use in the ordinary course of each purchaser's business.

General

ASCO Power Technologies, LP products and systems are in our opinion the finest available. We take pride in our products and are pleased that you have chosen them. Under certain circumstances we offer with our products the following Limited Guardian Warranty Against Defects in Material and Workmanship.

Please read your Guardian Warranty carefully. This Warranty sets forth our responsibilities in the unlikely event of defect and tells you how to obtain performance under this Warranty.

Limited Warranty Against Defects in Material and Workmanship:

Product Description	Series	Catalog Code
Automatic Transfer Switch	150, 200	1ATS, 2ATS
	300	3ATS, 3ADTS
	4000	4ATS, 4ADTS, 4ACTS
Non-Automatic Transfer Switch (Electrically Operated)	300	3NTS, 3NDTS
ASCO Lighting Control Panels	4000	4NTS, 4NDTS, 4NCTS
Manual Transfer Switch	300	3MTS, 3MTQ, 3MUQ, 3MPQ, 3MGQ, 3MGDQ, 3MTDQ
Service Entrance Transfer Switch (SEATS)	300	3AUS, 3ADUS, 3APS, 3ARS, 3MUS
Power Transfer Load Center (PTLC)	300	300L
Quick Connect Panels	300	3QCN, 3QCU, 3QCD
Electrically Operated Bypass Switch	4000	4ATE, 4NTE, 4ADTE, 4NDTE

Limited Warranty

ASCO warrants that the ATS will be free from defects in material and workmanship and will conform to ASCO's standard specifications for the ATS for a period of twenty four (24) months from date of product shipment from ASCO (the "Warranty Period"). This Limited Warranty does not extend to subsequent owners of the structure during the Warranty period.

Terms of Warranty

The foregoing Limited Warranty is conditioned upon user's compliance with the following:

1. The ASCO Power Transfer Switch is installed in accordance with ASCO specifications and state and local codes and standards by an electrician licensed in the state of installation.
2. The ASCO Power Transfer Switch is maintained in accordance with ASCO instructions and used under normal conditions for the purposes intended by ASCO.

All warranty field-related repairs, replacements or adjustments must be made by ASCO Services Inc. or its duly authorized representative.

Optional Available Extended Warranty

Optional extended warranty coverage may be purchased from ASCO for a specified fee at the time of the original sale. If purchased, Warranty period shall be extended up to an additional thirty - six (36) months beyond the standard twenty - four (24) months to provide up to five (5) year coverage applicable to the above referenced products, except for 3AUS, 3APS, and 3ARS products where the warranty period for the circuit breaker shall be limited to 24 months from date of shipment from ASCO. The length of optional extended coverage shall be reflected on the ASCO invoice and/or order acknowledgement document.

**Warranty Extends
To First Purchaser
for Use,
Non-Transferable**

This Warranty is extended to the first person, firm, association, or corporation for whom the ASCO product specified herein is originally installed for use (the "user") in the fifty United States or Canada. This Warranty is not transferable or assignable without the prior written permission of ASCO.

**Assignment of
Warranties**

ASCO assigns to user any warranties which are made by manufacturers and suppliers of components of, or accessories to, the ASCO product and which are assignable, but ASCO makes no representations as to the effectiveness or extent of such warranties, assumes no responsibility for any matters which may be warranted by such manufacturers or suppliers and extends no coverage under this Warranty to such components or accessories.

**Drawings,
Descriptions**

ASCO warrants for the period and on the terms of the Warranty set forth herein that the ASCO product will conform to the descriptions contained in the certified drawings, if any, applicable thereto, to ASCO's final invoices, and to applicable ASCO product brochures and manuals current as of the date of product shipment ("descriptions"). ASCO does not control the use of any ASCO product. Accordingly, it is understood that the descriptions are not Warranties of performance and not Warranties of fitness for a particular purpose.

**Warranty Claims
Procedure**

Within a reasonable time, but in no case to exceed thirty (30) days, after user's discovery of a defect, user shall contact ascopowerwarranty@ascopower.com. Subject to the limitations specified herein, an ASCO Services field service representative will repair the non-conforming ASCO product warranted hereunder, without charge for parts, labor, or travel expenses. Warranty coverage will apply only after ASCO's inspection discloses the claimed defect and shows no signs of treatment or use that would void the coverage of this Warranty. All defective products and component parts replaced under this Warranty become the property of ASCO.

**Warranty
Performance of
Component
Manufacturers**

It is ASCO's practice, consistent with its desire to remedy Warranty defects in the most prompt and effective manner possible, to cooperate with and utilize the services of component manufacturers and their authorized representatives in the performance of work to correct defects in the product components. Accordingly, ASCO may utilize third parties in the performance of Warranty work, including repair or replacement hereunder, where, in ASCO's opinion, such work can be performed in less time, with less expense, or in closer proximity to the ASCO product.

**Items Not Covered
By Warranty**

This Warranty does not cover damage or defect caused by misuse, improper application, wrong or inadequate electrical current or connection, negligence, inappropriate on site operating conditions, repair by non-ASCO designated personnel, accident in transit, tampering, alterations, a change in location or operating use, exposure to the elements, water, or other corrosive liquids or gases, acts of God, theft or installation contrary to ASCO's recommendations or specifications, or in any event if the ASCO serial number has been altered, defaced, or removed.

This Warranty does not cover shipping costs, installation costs, external circuit breaker resetting or maintenance or service items and further, except as may be provided herein, does not include labor costs or transportation charges arising from the replacement of the ASCO product or any part thereof or charges to remove or reinstall same at any premises of user.

Repair or replacement of a defective product or part thereof does not extend the original Warranty period.

The products listed in this Warranty are not for use in the control area or any reactor connected or safety applications or within the containment area of a nuclear facility or for integration into medical devices.

Limitations

This Warranty is in lieu of and excludes all other Warranties, express or implied, including merchantability and fitness for a particular purpose.

User's sole and exclusive remedy is repair or replacement of the ASCO product as set forth herein.

If user's remedy is deemed to fail of its essential purpose by a court of competent jurisdiction, ASCO's responsibility for property loss or damage shall not exceed the net product purchase price.

In no event shall ASCO assume any liability for indirect, special, incidental, consequential or exemplary damages of any kind whatsoever, including without limitation lost profits, business interruption or loss of data, whether any claim is based upon theories of contract, negligence, strict liability, tort, or otherwise.

Miscellaneous

No salesperson, employee, or agent of ASCO is authorized to add to or vary the terms of this Warranty. Warranty terms may be modified, if at all, only in writing signed by an ASCO officer.

ASCO obligations under this Warranty are conditioned upon ASCO timely receipt of full payment of the product purchase price and any other amounts due. ASCO reserves the right to supplement or change the terms of this Warranty in any subsequent warranty offering to user or others.

In the event that any provision of this Warranty should be or becomes invalid and/or unenforceable during the Warranty period, the remaining terms and provisions shall continue in full force and effect.

This Warranty shall be governed by, and construed under, the laws of the State of New Jersey, without reference to the conflict of laws principles thereof.

This Warranty represents the entire agreement between ASCO and user with respect to the subject matter herein and supersedes all prior or contemporaneous oral or written communications, representations, understandings, or agreements relating to this subject.



Flexible Power Transfer Solutions for Commercial & Industrial Applications

ASCO Power
Technologies™

ASCO SERIES 300
Power Transfer Switches



ascopower.com

Life Is 

Schneider
Electric

ASCO SERIES 300 Automatic Transfer Switches

Power outages impact small and large facilities alike. ASCO SERIES 300 Automatic Transfer Switches offer rugged design and reliable performance to small and mid-size commercial and industrial facilities in packaged solutions that are easy to select, procure, install, and operate.

Every SERIES 300 generator transfer switch is engineered with ASCO's reliability expertise in a package that makes backup power accessible for small and mid-size facilities. Leveraging knowledge derived from a century of critical power transfer experience, each SERIES 300 is backed by the same ASCO technical support and service that solves the most demanding critical power challenges facing facilities today.

Product Details

[Transfer Switch Overview](#)



ASCO's SERIES 300 lineup offers flexible backup power solutions for businesses of every size.

SERIES 300 Automatic Transfer Switches

Designed to Fit Anywhere

The ASCO SERIES 300 product line provides the most compact design of generator power transfer switches in the industry.

Available to mount on walls or floors, all models through 2000 amperes are designed to be completely front-accessible. This permits installation flush against walls while allowing installation of cabling and connections from the front of the switch. Cable entrance plates are standard on 1600 and 2000 amperes units; these allow use of optional side-mounted pull boxes for additional cable bending space.

- 30 through 3000 amperes in compact designs
- Up to 600 VAC, single or three phase
- Listed to UL 1008 - Standard for Safety - Transfer Switch Equipment
- True double-throw operation: The single solenoid design is inherently interlocked to prevent simultaneous connections of two power sources.
- Will not transfer to a dead source - single solenoid operator derives power from the destination source
- Easy-to-navigate 128x64 graphical LCD display with keypad provides LED indicators for switch position, source availability, not-in-auto mode, and alert conditions.
- Integrated, multilingual, user interface for configuration and monitoring
- Available Delayed Transition operation
- Non-automatic operation can be selected without opening enclosure door
- Optional Relay Expansion Module with extra relays for accessory outputs
- Soft keys for test function and time delay bypass
- Emergency source failure alert indication
- Optional Historical Event Log
- Displays statistical ATS monitoring information
- Built-in diagnostic functions
- Password protection to prevent unauthorized actions
- Adjustable delay feature prevents nuisance transfer due to momentary utility power outages and generator dips
- Auxiliary contacts signal position of main contacts - two for normal and two for emergency position
- Standard solid neutral terminals
- Restriction of Hazardous Substances (RoHS) compliant controller
- Standard 2 year warranty. Optional 1, 2, and 3 year extensions

Power Knowledge

[Basic Automatic Transfer Switch Functions](#)



SERIES 300 Automatic Switching Solutions

Automatic and Non-Automatic Transfer Switching

ASCO Transfer Switches are available in both automatic and non-automatic types. Both are electrically operated. For automatic transfer switches, the controller initiates transfer between power sources. For non-automatic transfer switches, a user initiates transfer using local or remote controls.

SERIES 300 non-automatic transfer switches offer the following features:

- Models range from 30 through 3000 amperes, up to 600V
- Source acceptability lights inform operator when sources are available to accept load
- Controller prevents inadvertent operation under low voltage conditions
- Standard in-phase monitor for transferring motor loads between live sources

Power Knowledge

[Non-Automatic and Manual Transfer Switches for Backup Power Applications](#)

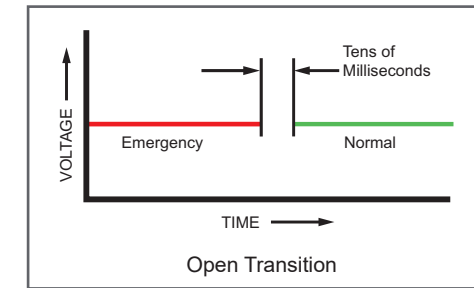


400 Amp, Type 1 Enclosure

Open Transition Transfer Switching

ASCO Transfer Switches are available with a standard, 2-position, open transition models that reliably transfer loads in less than 100 milliseconds. Open transition switches are suitable for a wide range of applications.

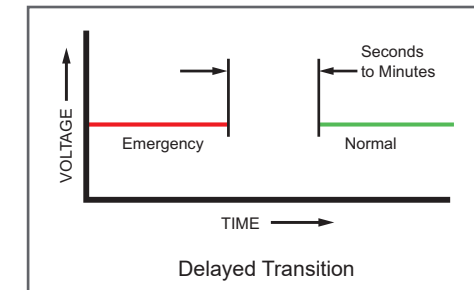
- 30 to 3000 amps
- Single-operator switching mechanism prevents simultaneous connection of both sources
- Available In-Phase Monitor can be activated for transferring motor loads



Delayed Transition Transfer Switching

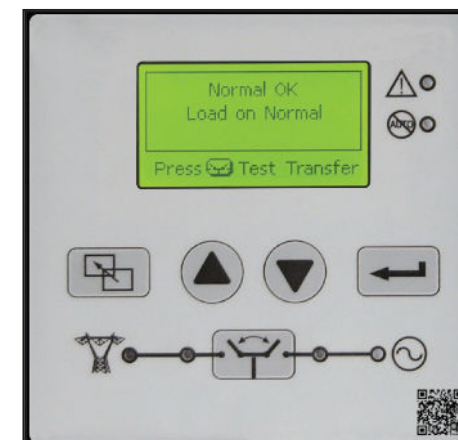
ASCO Delayed Transition Transfer Switches transfer loads between power sources using a timed load disconnect position with an adjustable delay.

- 150 through 3000 amps
- Reliable, field-proven, dual-solenoid operating mechanism
- Mechanical interlocks to prevent simultaneous connection of both power sources
- Adjustable delay for load disconnect - 0 to 5 minutes
- Non-automatic models available in manual operation configuration
- Automatic models available with load shed feature



SERIES 300 Group G Controller

The SERIES 300 Group G Controller is reliable and field-proven. It provides all of the voltage, frequency, control, timing, and diagnostic functions required for most emergency and standby power applications.



- Touch pad programming
- Displays active timers
- On-board diagnostics
- Password protection
- Voltage and frequency sensing
- Status and control functions

Power Knowledge

[Transition Mode Basics](#)

[Transferring Motor Loads between Power Sources](#)

[Transferring Loads with Zero Power Interruption](#)

Product Details

[Group G Controller](#)

Transfer Switch Communications and Metering

Options to Customize Functionality and Increase Value

Product Details

[5300 SERIES Annunciators](#)

Remote Annunciation

Monitor Power Equipment Status from Anywhere

Monitoring and control transfer switches from across the room, building, or from Internet.

5310 – LED annunciator – Single ATS

5350 – LED annunciator – up to 8 ATSS



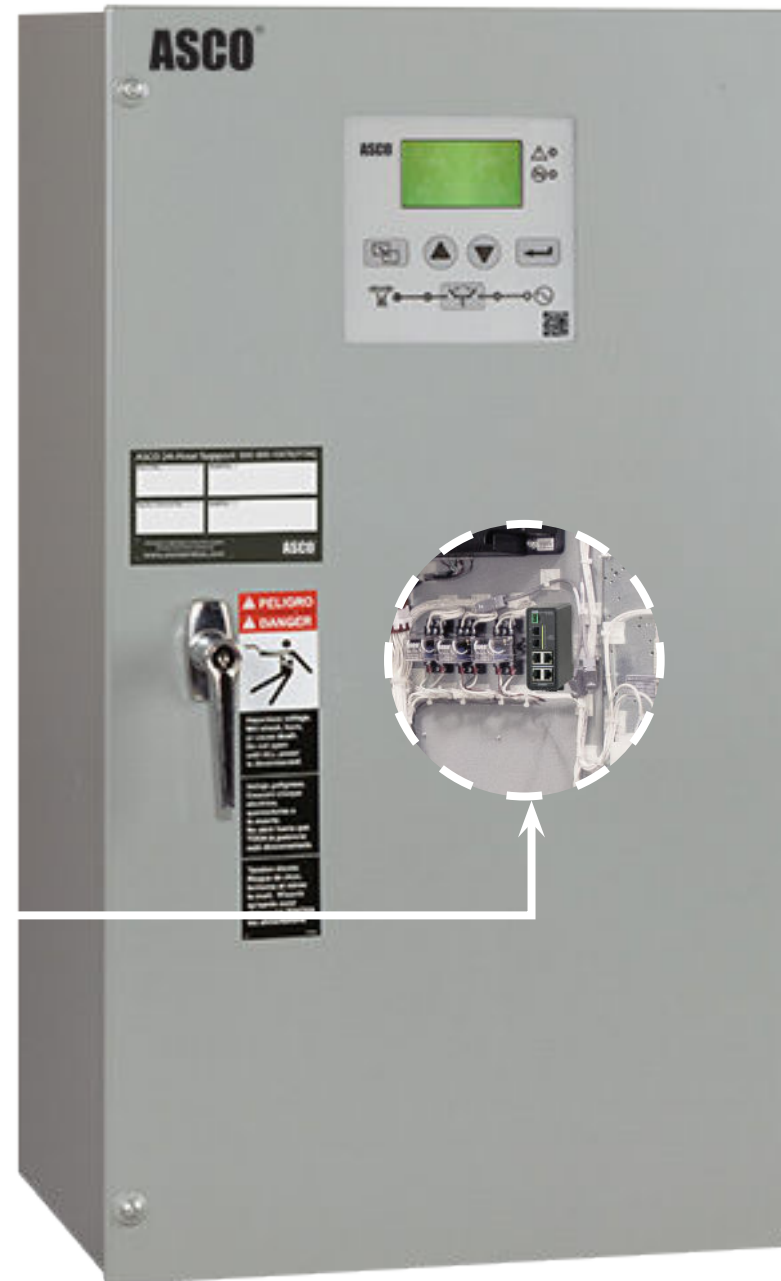
Product Details

[5140 Connectivity Module](#)

Communication

Turn Transfer Switches into Power Information Portals

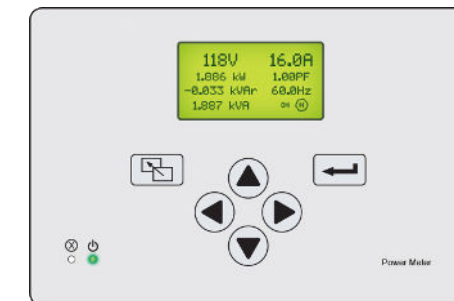
5140 Connectivity Module – Makes status and power information from a single switch available to via ModBUS, SNMP, and web pages.



Metering

Transfer Switches are the Perfect Place to Monitor Power Flow, Power Conditions, and Power Events

5210 Power Meter – Provides deeper insight into circuit status and conditions.



Product Details

[5210 Power Meter](#)

SERIES 300 Optional Accessories

Communications	
11BE	Feature Bundle. Programmable engine exerciser with seven independent routines run the generator with or without loads, on a daily, weekly, bi-weekly, or monthly basis. Controlled from the user interface keypad. <ul style="list-style-type: none"> Event log display shows the event number, time and date, type and reason (if applicable). Stores up to 300 events RS485 Communication Port enabled common alarm output contact On three-phase systems, Accessory 11BE enables line-to-line voltage imbalance sensing and three-phase sensing capabilities for the Emergency power source as well as the Phase Rotation checking for both power sources.
18RX	Relay Expansion Module provides accessory relays and includes one Form C contact for normal source availability (18G), and one Form C contact for emergency source availability (18B) (contact rating 5 amperes @ 30 VDC or @ 125 VAC resistive) (100 ma, 4 VDC min) Additional output relay is provided the default is to indicate a common alarm.
72EE	Connectivity module provides remote monitoring and control capabilities and includes accessory 11BE feature bundle
Environment and Power	
44A	Strip heater with thermostat for cold environment to prevent internal condensation and icing. External 120-volt AC power source required.
44G	Strip heater with thermostat, wired to load terminals on 208-240, 360-380, 460-480, 550-600 volt models. Contains wiring harnesses for all transfer switch sizes.
1UP	UPS back up power runs controller and LCD display for 30 seconds without AC power
Extension Harness	
37B	Six-foot extension harness for open type units to accommodate customer mounting of controls and switch
37C	Nine-foot extension harness for open type units to accommodate customer mounting of controls and switch
Indicators	
62W	Audible alarm with silencing feature to signal transfers to emergency. (For D-frame models, may require oversize enclosure depending on accessory combination).
Customer Control Circuits	
30A	Load-shed circuit initiated by opening of a customer-supplied contact (Open Transition model only)
30B	Load-shed circuit initiated by removal of customer-supplied control voltage (Open Transition model only)
30AA	Load-shed circuit initiated by opening of a customer-supplied contact (Delayed Transition model only)
30BA	Load-shed circuit initiated by removal of customer-supplied control voltage (Delayed Transition model only)
Surge Protection	
73	Surge suppressor rated 65 kA
Metering	
23GA, 23GB	Load Current Metering card measures either single or three-phase load current. Not available with Power Meter option 135L. Use 23GA for Single-Phase, 23GB for Three-Phase.
135L	Power Meter on load side (includes shorting block and current transformers). Not available with Load Current Metering options 23GA or 23GB.

Field Conversion Kits

Kit No.	Description
935147	Advanced Function Bundle Retrofit Kit (11BE) - See above accessory 11BE description for details.
935148	REX Module with Source Availability Contacts (Acc. 18RX)
935149	UPS to allow controller to run for 30 seconds minimum without AC Power (Acc. 1UP)
935150	1/3 Phase load current sensing card only (Acc. 23GA/GB)
K613127-001	Strip Heater (125 watt) 120 volt (Acc. 44A)
K613127-002	Strip Heater (125 watt) 208-480 volt (Acc. 44G)
948551	Quad-Ethernet Module (Acc. 72EE)
K609027	Cable Pull Box (1600-2000 amperes)

Withstand and Closing Ratings

FRAME	RATINGS AMPERES	CURRENT LIMITING FUSES				SPECIFIC BREAKER		
		480V MAX.	600V MAX.	MAX. SIZE, AMPS	CLASS	240V MAX.	480V MAX.	600V MAX.
D	30	100kA	-	300	J	22kA	22kA	10kA
		200kA	35kA	200	J			
		35kA	35kA	200	RK1			
	70-100	35kA	35kA	200	RK1	150kA	85kA	25kA
		200kA	35kA	200	J			
	150	35kA	35kA	200	RK1	150kA	85kA	25kA
		200kA	35kA	200	J			
	200	200kA	35kA	200	J	200kA	85kA	14kA
		35kA	35kA	200	RK1			
	230	100kA	-	300	J	200kA	85kA	14kA
E	260, 400	200kA	-	600	J	65kA	42kA	22kA
J	150, 200, 260	200kA	200kA	600	J	200kA	200kA	42kA
				800	L			
	400	200kA	200kA	600	J	65kA	50kA	42kA
				800	L			
	600	200kA	200kA	600	J	65kA	85kA	42kA
				800	L			
H	800-1200*	200kA	200kA	1200	L	65kA	150kA	65kA
G	1600-2000	200kA	200kA	2500	L	85kA	85kA	85kA
	2600-3000	200kA	200kA	4000	L	125kA	125kA	100kA
	4000	200kA	200kA	5000	L	100kA	100kA	100kA

Notes:


* Front connection only


All units are RMS Symmetrical Amperes

All Withstand and Closing Rating values are tested in accordance with UL 1008. See **ASCO Publication 1128** for more information.

Application requirements may permit higher WCR for certain switch sizes.

Power Knowledge

 [UL 1008 Transfer Switch Withstand and Closing Ratings](#)

 [Performance Testing for Transfer Switches](#)

Additional SERIES 300 Product Information

Transfer Switches and Panels	Controls	Technical Information
Manual Transfer Switch	Group G Controller	Withstand and Closing Ratings
Manual Transfer Switch with Quick Connects		Weights and Dimensions and Ordering Info
Quick Connect Power Panel		Drawings
Dual Purpose Quick Connect Power Panel		Wiring Diagrams

SERIES 300 Manual Transfer Switching and Quick Connection Solutions

ASCO SERIES 300 Manual Transfer Switching and Quick Connection Solutions offer reliable service and application flexibility for a wide range of facilities.

Manual Transfer Switches



- Three-position, easy-to-use center-off switch
- Compact design - easy to install and maintain
- Designed to handle demands of motors and inrush currents

Power Knowledge

[Differences Between Manual, Non-Automatic, & Automatic Transfer Switches](#)

Product Details

[SERIES 300 Manual Transfer Switch](#)

Quick Connect Panels



- Listed to UL 1008 Transfer Switch Accessory standard
- Utilizes standard Cam-Lok™ receptacles for quick connections
- Standard Type 3R construction is weatherproof with or without cable
- Utilizes standard Series 16 Single Pole quick connect receptacles

Power Knowledge

[NEC Requirement for Permanent Manual Switching Means](#)

Product Details

[SERIES 300 Quick Connect Power Panel](#)

Manual Transfer Switches with Quick Connects



- The ASCO SERIES 300 Manual Transfer Switch with Integrated Quick Connects provides a total temporary power connection and transfer solution
- Enables connection and control of a temporary or portable generator
- Provides a complete UL 1008-listed solution in a single unit

Product Details

[SERIES 300 Manual Transfer Switch with Quick Connects](#)

Dual-Purpose Manual Transfer Switches with Quick Connects



- Provides both supplemental backup power and load testing connectivity through a single device.
- Listed to UL 891 by ETL
- Utilizes standard Series 16 Single Pole quick connect receptacles

Product Details

[SERIES 300 Dual Purpose Quick Connect Power Panel](#)