

The ASCO Service Entrance Power Transfer Switch combines automatic power switching with the necessary disconnecting, grounding, and bonding required for use as service entrance equipment. The power transfer switch meets all National Electrical Code requirements for service entrance use.

**Product Features:**

- Suitable for use as service entrance equipment.
- Sizes available from 70 - 3000 amps, 600 VAC, 50 or 60 Hz, single or three phase.
- 70 - 400 Ampere listed to UL 1008.
- 600 - 3000 Ampere listed to UL 891.
- Automatic Transfer Switch is listed to UL 1008 for total system loads.
- Silver plated copper ground and neutral bus with solderless screw type terminals.
- Ground fault trip protection provided on sizes 1000 amps and above.
- Available with solid or switched neutral.

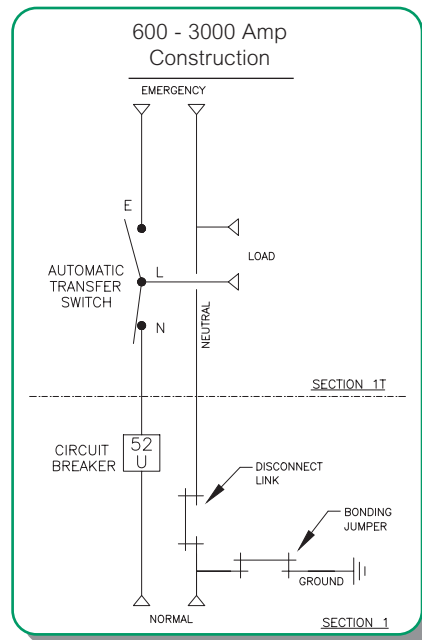
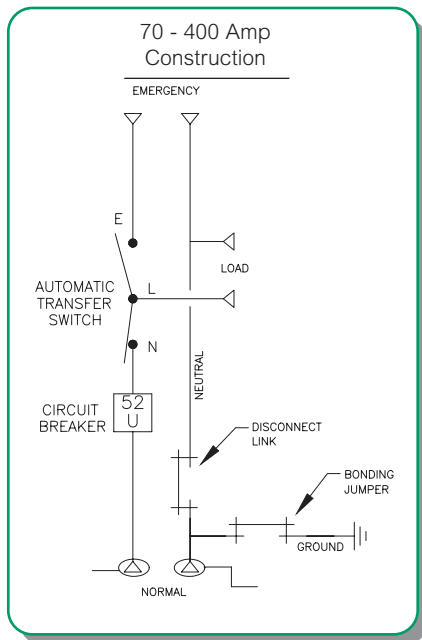


ASCO SERIES 300  
SE Rated 800 amperes Type 1 enclosure



ASCO SERIES 300  
SE Rated 200 amperes in Type 3R enclosure

ASCO SERIES 300SE products use two types of construction.



Products 400 amperes or less, utilize a single enclosure including a service (utility source) disconnect circuit breaker, as well as the power transfer switch, grounding and bonding provisions.

Products 600 amperes and above, utilize a multi-section switchboard construction including a service equipment section containing the service (utility source) disconnect circuit breaker, grounding, and bonding provisions. A second section contains the power transfer switch.

To order an ASCO SERIES 300SE Power Transfer Switch, complete the following catalog number:

J	+	03AUS	+	B	+	3	+	0600	+	N	+	GX	+	C
Frame		Product Type		Neutral Code		Phase Poles		Amperes Continuous Rating		Voltage Code		Controller Code		Enclosure
D = 70 - 225 Amp		03AUS = Automatic		A = Solid Neutral		2		0070, 0100, 0150, 0200, 0225 <sup>4</sup> , 0250 <sup>4</sup> ,		A <sup>1</sup> = 115 B <sup>1</sup> = 120 C = 208 D = 220 E = 230 F = 240 H = 380 J = 400 K = 415 L = 440 M = 460 N = 480 P = 550 Q = 575 R = 600		G = No Optional Accessories  GX = Optional Accessories		C = Type 1 (Standard) M = Type 3R Secure Double Door N = Type 4 <sup>†</sup> Secure Double Door P = Type 4X <sup>5,6</sup> Secure Double Door 304 SS Q = Type 12 <sup>†</sup> Secure Double Door R = Type 3RX <sup>5,6</sup> Secure Double Door 316 SS S = Type 3RX <sup>5,6</sup> Secure Double Door 304 SS V = Type 4X <sup>5,6</sup> Secure Double Door 316 SS
J = 150 - 600 <sup>†</sup> Amp		03NUS = Non-Automatic		B = Switched Neutral		3		0400, 0600, 0800, 1000, 1200, 1600, 2000 2500, 3000						
H = 800 - 1200 Amp		3ADUS = Automatic Delayed Transition												
G = 1600 - 3000 Amp		3NDUS = Non-Automatic, Delayed Transition												

- Notes:**
- 115-120 volt available 150-400 amperes for 3AUS, 3NUS only.
  - Available for 70-1600 amperes, use type 3R for 2000-3000 ampere applications.
  - A solid neutral is provided as standard.
  - 200, 225 ampere rated switches suitable for use with copper cable only. Refer to paragraph 310.15 of the NEC for additional information.
  - Type 316 stainless steel is the standard. It provides an improved reduction in corrosion of salt and some chemicals. It is the preferred choice for marine environments.
  - Available only on switches rated 1600, 2000, 2600 and 3000 amperes.
  - J 150-225 ampere for SERIES 3ADUS/3NDUS only.
  - Available only on switches rated 70 - 1600 amperes.

ASCO SERIES 300SE Power Transfer Switch Dimensions and Shipping Weights

UL Type 1 Enclosure<sup>4</sup>

Switch Rating Amps	Phase Poles	Neutral Code	Dimensions, In. (mm)			Approx. Shipping Weight Lb. (kg)
			Width	Height	Depth	
70, 100, 150, 200, 225	2	A	36 (914)	48 (1219)	13 (330)	400 (185)
	2	B	36 (914)	48 (1219)	13 (330)	410 (189)
	3	A	36 (914)	48 (1219)	13 (330)	410 (189)
	3	B	36 (914)	48 (1219)	13 (330)	430 (198)
150, 200, 225, SERIES 3ADUS/3NDUS Only	2	A	36 (914)	48 (1219)	13 (330)	400 (185)
	2	B	36 (914)	48 (1219)	13 (330)	408 (188)
	3	A	36 (914)	48 (1219)	13 (330)	408 (188)
	3	B	36 (914)	48 (1219)	13 (330)	420 (193)
250 <sup>†</sup> , 400 <sup>†</sup>	2	A	42 (1067)	48 (1219)	15.5 (394)	420 (193)
	2	B	42 (1067)	48 (1219)	15.5 (394)	430 (198)
	3	A	42 (1067)	48 (1219)	15.5 (394)	430 (198)
	3	B	42 (1067)	48 (1219)	15.5 (394)	450 (207)
600 <sup>†</sup>	2	A	38 (965)	91 (2311)	28 (711)	860 (396)
	2	B	38 (965)	91 (2311)	28 (711)	870 (401)
	3	A	38 (965)	91 (2311)	28 (711)	870 (401)
	3	B	38 (965)	91 (2311)	28 (711)	880 (405)
800 <sup>†</sup>	2	A	38 (965)	91 (2311)	28 (711)	1460 (673)
	2	B	38 (965)	91 (2311)	28 (711)	1470 (677)
	3	A	38 (965)	91 (2311)	28 (711)	1470 (677)
	3	B	38 (965)	91 (2311)	28 (711)	1480 (682)
1000 <sup>†</sup> , 1200 <sup>†</sup>	2	A	38 (965)	91 (2311)	48 (1218)	1460 (673)
	2	B	38 (965)	91 (2311)	48 (1218)	1470 (677)
	3	A	38 (965)	91 (2311)	48 (1218)	1470 (677)
	3	B	38 (965)	91 (2311)	48 (1218)	1480 (682)
1600 <sup>†</sup> , 2000 <sup>†</sup>	3	A	38 (965)	91 (2311)	48 (1218)	1580 (727)
	3	B	38 (965)	91 (2311)	48 (1218)	1680 (773)
2500 <sup>†</sup> , 3000 <sup>†</sup>	3	A	38 (965)	91 (2311)	72 (1829)	2590 (1175)
	3	B	38 (965)	91 (2311)	72 (1829)	2690 (1220)

UL Type 3R Enclosure<sup>4</sup>

Switch Rating Amps	Phase Poles	Neutral Code	Dimensions, In. (mm)			Approx. Shipping Weight Lb. (kg)
			Width	Height	Depth	
70, 100, 150, 200, 225	2	A	36 (914)	48 (1219)	16 (406)	500 (232)
	2	B	36 (914)	48 (1219)	16 (406)	520 (241)
	3	A	36 (914)	48 (1219)	16 (406)	520 (241)
	3	B	36 (914)	48 (1219)	16 (406)	530 (246)
150, 200, 225, SERIES 3ADUS/3NDUS Only	2	A	41 (1041)	95.5 (2424)	33 (838)	500 (232)
	2	B	41 (1041)	95.5 (2424)	33 (838)	520 (241)
	3	A	41 (1041)	95.5 (2424)	33 (838)	520 (241)
	3	B	41 (1041)	95.5 (2424)	33 (838)	530 (246)
250 <sup>†</sup> , 400 <sup>†</sup>	2	A	42 (1067)	48 (1219)	18 (487)	500 (232)
	2	B	42 (1067)	48 (1219)	18 (487)	520 (241)
	3	A	42 (1067)	48 (1219)	18 (487)	520 (241)
	3	B	42 (1067)	48 (1219)	18 (487)	530 (246)
600 <sup>†</sup>	2	A	41 (1041)	95.5 (2425)	33 (838)	1200 (555)
	2	B	41 (1041)	95.5 (2425)	33 (838)	1220 (564)
	3	A	41 (1041)	95.5 (2425)	33 (838)	1220 (564)
	3	B	41 (1041)	95.5 (2425)	33 (838)	1240 (574)
800 <sup>†</sup>	2	A	41 (1041)	95.5 (2425)	33 (838)	1520 (703)
	2	B	41 (1041)	95.5 (2425)	33 (838)	1540 (712)
	3	A	41 (1041)	95.5 (2425)	33 (838)	1540 (712)
	3	B	41 (1041)	95.5 (2425)	33 (838)	1580 (731)
1000 <sup>†</sup> , 1200 <sup>†</sup>	2	A	41 (1041)	95.5 (2425)	62 (1575)	1520 (703)
	2	B	41 (1041)	95.5 (2425)	62 (1575)	1540 (712)
	3	A	41 (1041)	95.5 (2425)	62 (1575)	1540 (712)
	3	B	41 (1041)	95.5 (2425)	62 (1575)	1580 (731)
1600 <sup>†</sup> , 2000 <sup>†</sup>	3	A	41 (1041)	95.5 (2425)	62 (1575)	2200 (1018)
	3	B	41 (1041)	95.5 (2425)	62 (1575)	2240 (1036)
2500 <sup>†</sup> , 3000 <sup>†</sup>	3	A	41 (1041)	95.5 (2425)	86 (2184)	3280 (1488)
	3	B	41 (1041)	95.5 (2425)	86 (2184)	3380 (1533)

- Notes:**
- Unit is designed for top and bottom cable entry for all services and load.
  - Enclosures for 600 - 3000 amps are freestanding.
  - A space heater accessory 44G is required with all service entrance (Type 3R) switches to help reduce condensation and protect the circuit breaker. It is recommended when environmental enclosures (Type 4, 12) are ordered for installation outdoors. See Optional Accessories page for space heater options (acc. 44G).
  - Dimensional data is approximate and subject to change. Certified dimensions available upon request.

SERIES 300SE External Power Connections  
Sizes UL-Listed Solderless Screw-Type Terminals

Switch Rating	Ranges of AL-CU Wire Sizes
70, 100, 150, 200 <sup>†</sup> , 225 <sup>†</sup>	One #14 to 4/0 AWG
150 <sup>†</sup> , 200 <sup>†</sup> , 225 <sup>†</sup> , 250, 400	One #4 AWG to 600 MCM Two 1/0 to 250 MCM
600	Two 1/0 to 600 MCM
800, 1000, 1200	Four 1/0 to 600 MCM
1600, 2000	Six 1/0 to 600 MCM
2500	Twelve 3/0 to 750 MCM
3000	Twelve 3/0 to 750 MCM

Extended Warranties for SERIES 300SE Transfer Switches  
(3AUS/3NUS/3ADUS/3NDUS)

Description
1 Year Extension (Total of 3 Years)
2 Year Extension (Total of 4 Years)
3 Year Extension (Total of 5 Years)

- Notes:**
- Standard warranty is (24) months, 2 years from date of shipment, extended warranty is in addition to the two years, for a total of 3, 4 or 5 years, except where the warranty period for the circuit breaker shall be limited to 24 months from date of shipment from ASCO.
  - Refer to Publication 3223 for warranty terms and conditions.

SERIES 300SE AIC Breaker Rating<sup>1</sup>

Switch Rating	AIC Rating (KA)	Voltage
70, 100, 150, 200, 225	25,000	480
150, 200, 225 SERIES 3ADUS/3NDUS Only	35,000	480
250, 400, 600	35,000	480
800	65,000	480
1000, 1200	50,000	480
1600, 2000	65,000	480
2500, 3000	100,000	480

- Notes:**
- Refer to SERIES 300 Publication 1195 for switch ratings.