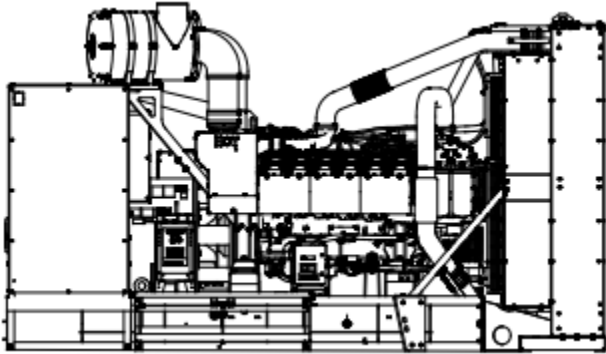


---

# 1MW Diesel Generator

---



## Kohler Model: KD1000

This diesel generator set equipped with a KH04070TO4D alternator operating at 277/480 volts is rated for 1000 kW/12500 kVA. Output amperage: 1504A

### Standard Features:

- Kohler Co. provides one-source responsibility for the generating system and accessories.
- The generator set and its components are prototype-tested, factory-built, and production-tested.
- The 60 Hz generator set offers a UL 2200 listing.
- The generator set accepts rated load in one step.
- The 60 Hz generator set meets NFPA 110, Level 1, when equipped with the necessary accessories and installed per NFPA standards.
- A standard three-year or 1000-hour limited warranty for standby applications. Five-year basic, five-year comprehensive, and ten-year extended limited warranties are also available.
- A standard two-year or 8700-hour limited warranty for prime power applications.
- Tier 2 EPA-certified for Stationary Emergency Applications
- Battery Rack and Cables
- Closed Crankcase Ventilation (CCV) Filters
- Customer Connection
- Integral Vibration Isolation

### Alternator Features:

- Local Emergency Stop Switch
- Oil Drain and Coolant Drain Extension
- Operation and Installation Literature
- The pilot-excited, permanent magnet (PM) alternator provides superior short-circuit capability.
- NEMA MG1, IEEE, and ANSI standards compliance for temperature rise and motor starting.
- Sustained short-circuit current of up to 300% of the rated current for up to 10 seconds.
- Sustained short-circuit current enabling downstream circuit breakers to trip without collapsing the alternator field.

### Other Features:

- Self-ventilated and dripproof construction.
- Superior voltage waveform from two-thirds pitch windings and skewed stator. Brushless alternator with brushless pilot exciter for excellent load response.
- Kohler designed controllers for one-source system integration and remote communication.
- The low coolant level shutdown prevents overheating (standard on radiator models only).

Qty:

1

**Description**

**KD1000 Generator Set**

**Includes the following:**

Literature Languages	English
Approvals and Listings	UL2200 Listing
Engine	KD1000, 60 Hz, EPA, Tier 2
Nameplate Rating	Standby 130C Rise
<b>Voltage</b>	<b>60 Hz, 277/480V, Wye, 3Ph, 4W</b>
Alternator	KH04070TO4D
Cooling System	Unit Mounted Radiator, 40C
Skid and Mounting	Skid, Standard Iso Mount
Air Intake	Standard Duty
Controller	APM603
<b>Enclosure Type</b>	<b>Sound</b>
<b>Enclosure Material</b>	<b>Aluminum</b>
Enclosure Silencer	Internal Silencer
Fuel Tank Type	State
<b>Fuel Runtime (Approx.)</b>	<b>24 Hours</b>
<b>Subbase Fuel Tank Capacity</b>	<b>1749 Gallons</b>
Starting Aids, Installed	6000W, 208V, 1Ph, w/ Valves
Electrical Accy., Installed	Battery, 2/12V, AGM
Electrical Accy., Installed	Batt. Rack & Cables
Electrical Accy., Installed	Battery Charger, 24V-20AMP
<b>Amps, LCB 1 Right</b>	<b>1,600</b>
<b>Trip Type, LCB 1 Right</b>	<b>Thermal Magnetic</b>
LCB 1 Right Interrupt Rating	65kA at 480V
LCB Accy. Installed	Ground Fault Relay Indication
Fuel Lines, Installed	Flexible Fuel Lines
Fuel System Acc., Installed	Fuel/Water Separator
Exceeds LTL Shipping Height	Add'l Shipping Charge Accepted
Miscellaneous Accy, Installed	Coolant in Genset
Miscellaneous Accy, Installed	Oil in Genset
<b>Warranty</b>	<b>5 Year Comprehensive</b>
Testing, Additional	Power Factor Test, 0.8, 3Ph Only
Total unit in length in inches	290
Total unit width in inches	105
Total unit heigh in inches	157
Total unit weight (lbs)	31,421
Weight/Dimensions Disclaimer*	Estimates-Not for Construction
1 Lit Kit, General Maint, 60 Hz, KD1000	