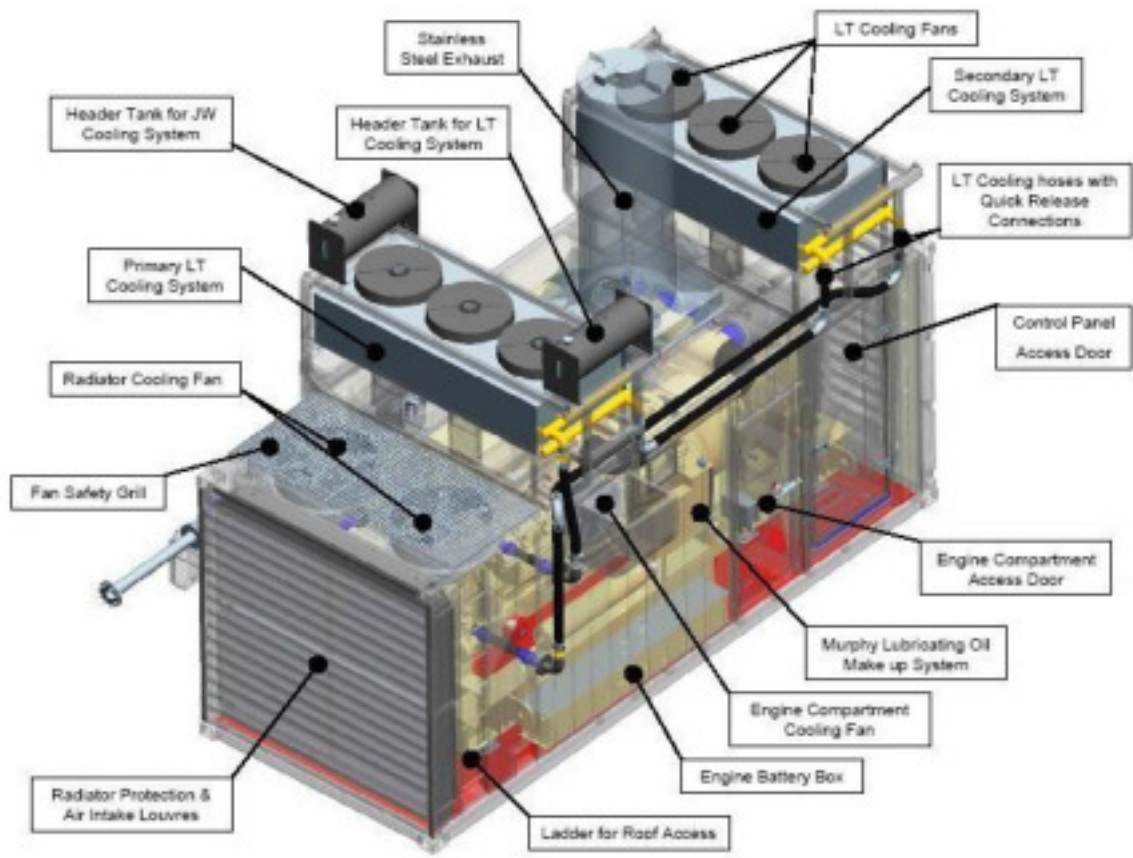
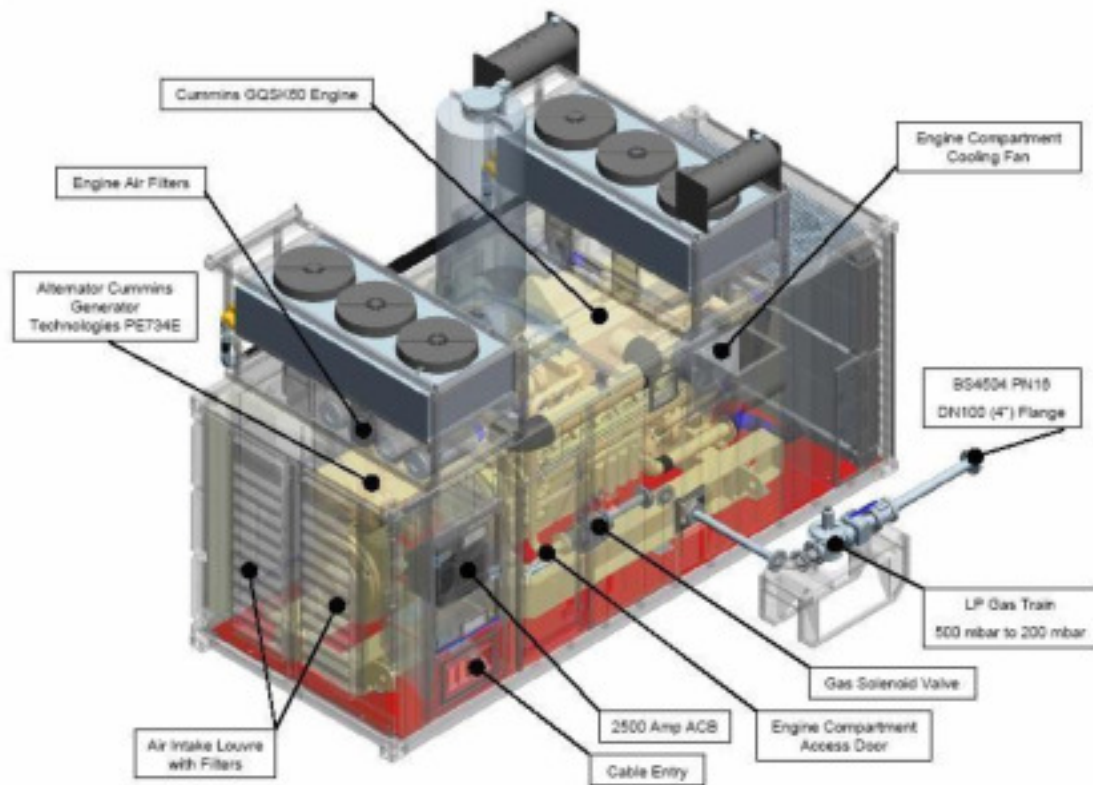


Cummins Technology

QSK60 Gas Generating Set
60 HZ 1300 KW/1625 KVA
50 HZ 1100 KW/1375 KVA





**Air intake louvers for
LT cooling coils**



**Gap between containers
uses sealing strip to
reduce noise levels**

**Bi-Line System
Fitted**



**Storage Compartment for LP
gas Train and ancillary
components**

**Access hatch for CAC
& Plumbing
connections**



**Standard twist locks used
to connect containers
together**

Advanced Cummins QSK60 Technology

- Fully Stackable ISO 20 foot container
- Additional Noise Attenuation
- Improved Airflow Management System
- Fully integrated with G-Drive Container
- Available as retrofit for existing units & utilizes all existing hardware

Cummins QSK60 Engine



1100 kW @ 50Hz

1300 kW @ 60Hz

Advanced Digital Electronic Control System

Power Command Control



Human Machine Interface (HMI)



Power Command Control

- Microprocessor based generator set control system
- Automatic synchronization and kW, PF control
- Integrated automatic voltage regulator
- Built in electrical protection system

Human Machine Interface (HMI)

- Touch screen with layered menus for ease of operation, control & diagnostic
- Display of plant status, electrical data, mechanical data, and test data
- Access to systems data and fault management screens

Control Panel Mk2



Local Air Circuit Breaker

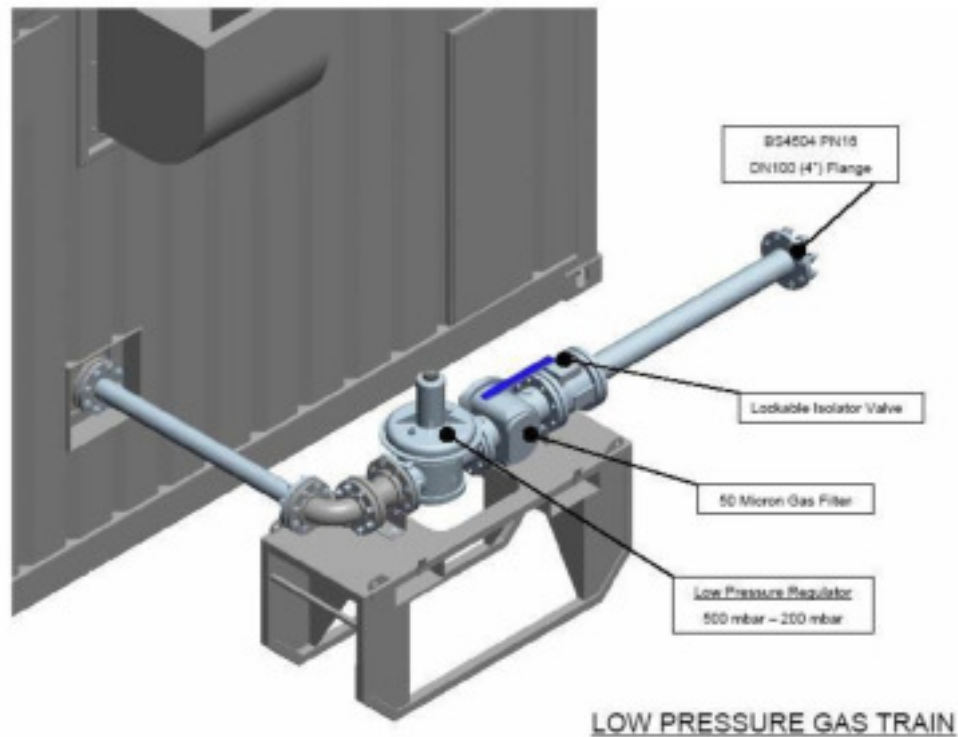


Inner explosion
proof housing

Emergency Gas Safety Shut-Off System



Low Pressure Gas Train



QSK60 Technical Features

Type: Natural Gas, Spark-Ignition

Configuration: 16 Cylinder, 60° V type, 4 valves per cylinder

Bore x Stroke: 159 mm X 190 mm

Capacity: 60.3 Liters

BMEP: 16 Bar

Aspiration: Turbocharged & Low Temperature After Cooled

RPM: 1500 or 1800

Frequency: 50 Hz or 60 Hz

Gas Supply Pressure: 0.2 to 6 Bar

Min. Methane Index: 61 for 50 Hz / 69 for 60 Hz

NO_x mg/nm³: 489 to 473