



DCA85SSJ

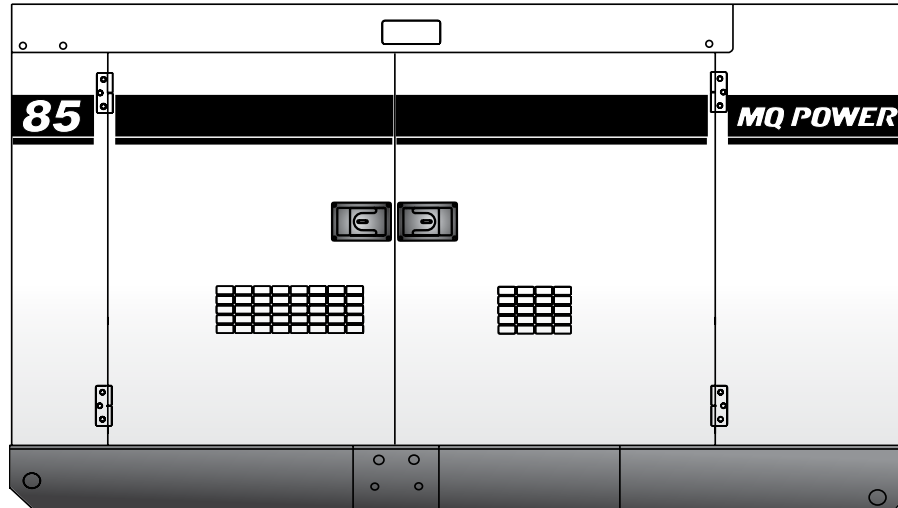
MQ POWER Series Generator

WhisperWatt™

Prime Rating — 68 kW (85 kVA)

Standby Rating — 75 kW (94 kVA)

60 Hertz, 0.8 PF



STANDARD FEATURES

- **Heavy duty, 4-cycle, direct injection, turbocharged diesel engine** — provides maximum reliability.
- **Brushless alternator** — reduces service and maintenance requirements and meets temperature rise standards for Class F insulation systems.
- **Open delta alternator design** — provides virtually unlimited excitation for maximum motor starting capability.
- **Automatic voltage regulator (AVR)** — provides precise regulation.
- **Electronic Governor Control** — maintains frequency to within $\pm 0.25\%$ from no load to full load.
- **Full load acceptance** — of standby nameplate rating in one step (NFPA 110, para 5-13.2.6).
- **Sound attenuated, weather resistant, steel housing** — provides ultra-silent operation at 68 dB(A) at 23 feet. Fully lockable enclosure allows safe unattended operation.
- **Integrated fuel tank** — with direct reading fuel gauges are standard.
- **Fuel/water separator** — removes condensation from fuel for extended engine life.
- **Seven-stage powder coat paint** — provides durability and weather protection.
- **Complete engine analog instrumentation** — includes DC ammeter, oil pressure gauge, water temp. gauge, fuel level gauge, tachometer/hour meter, preheat indicator, and emergency shutdown monitors.
- **Simultaneous single and three phase power.**
- **Complete generator analog instrumentation** — includes voltage regulator control, ammeter phase selector switch, voltmeter phase selector switch, AC voltmeter, AC ammeter, frequency meter, panel light, and circuit breaker.
- **Automatic safety shutdown system** — monitors the water temperature, engine oil pressure, overspeed and overcrank. Warning lights indicate abnormal conditions.
- **Automatic start/stop control** — automatically starts the generator set during a commercial power failure when used in conjunction with a transfer switch.
- **Complete power panel** — fully covered; three-phase terminals and single phase receptacles allow fast and convenient hookup for most applications including temporary power boxes, tools and lighting equipment. All are NEMA standard.
- **Voltage selector switch** — allows easy to change voltages as your applications require.
- **EPA emissions certified** — Tier 3 emissions compliant.



DCA85SSJ

MQ POWER Series Generator

SPECIFICATIONS

| Generator Specifications | |
|--|--|
| Design | Revolving field, self-ventilated, drip-proof, single bearing, |
| No. of Poles | 4-pole |
| Excitation | Brushless with AVR |
| Standby Output | 75 KW (94 KVA) |
| Prime Output | 68 KW (85 KVA) |
| Generator RPM | 1800 |
| Voltage - 3Ø | 208, 220, 240, 416, 440, 480V Switchable |
| Voltage — 1Ø | 120, 127, 139, 240, 254, 277V Switchable |
| Voltage Regulation (No load to full load) | ±0.5% |
| Power Factor | 0.8 |
| Frequency | 60 Hz |
| Frequency Regulation: No Load to Full Load | Isochronous under varying loads from no load to 100% rated load |
| Frequency Regulation: Steady State | ±0.25% of mean value for constant loads from no load to full load. |
| Insulation | Class F |
| Sound Level dB(A) Full load at 23 feet | 68 |

| Engine Specifications | |
|---------------------------|---|
| Make / Model | Isuzu / BJ-4JJ1X |
| Emissions | EPA Interim Tier 3 Certified |
| Starting System | Electric |
| Design | 4-cycle, water cooled, direct injection, turbocharged |
| Displacement | 183.0 in ³ (2999 cc) |
| No. cylinders | 4 |
| Bore x Stroke (mm) | 95.4 x 104.9 |
| Gross Engine Power Output | 97.9 bhp (50 kW) |
| BMEP | 204 psi (1409 kPa) |
| Piston Speed | 1237 ft./min. (6.29 m/s) |
| Compression Ratio | 17.5:1 |
| Engine Speed | 1800 rpm |
| Overspeed Limit | 2100 rpm |
| Oil Capacity | 3.96 gallons (15 liters) |
| Battery | 12V 72Ah x 1 |

| Fuel System | | |
|--------------------------------|---------------------------|------|
| Recommended Fuel | ASTM-D975-No.1 & No.2-D | |
| Maximum Fuel Flow (per hour) | 16 gallons (61 liters) | |
| Maximum Inlet Restriction (Hg) | 5.9 in. (150 mm) | |
| Fuel Tank Capacity | 39.6 gallons (150 liters) | |
| Fuel Consumption | gph | lph |
| At full load | 4.1 | 15.4 |
| At 3/4 load | 3.1 | 11.9 |
| At 1/2 load | 2.2 | 8.4 |
| At 1/4 load | 1.4 | 5.2 |

| Cooling System | |
|--|----------------------------|
| Fan Load | 3.06 hp (2.3 kW) |
| Coolant Capacity (with radiator) | 4.76 gallons (18.0 liters) |
| Coolant Flow Rate (per minute) | 48 gallons (180 liters) |
| Heat Rejection to Coolant (per minute) | 2990 Btu (3.15 MJ) |
| Heat Radiated to Room (per minute) | 1219 Btu (1.28 MJ) |
| Maximum Coolant Friction Head | 2.0 psi (13.8 kPa) |
| Maximum Coolant Static Head | 21 ft (6.4 meters) |
| Ambient Temperature Rating | 104°F (40°C) |

| Air | |
|---------------------------------|--------------------------------------|
| Combustion Air | 223 cfm (6.31 m ³ /min) |
| Maximum Air Cleaner Restriction | 25.0 in. H ₂ O (6.25 kPa) |
| Alternator Cooling Air | 911 cfm (25.8 m ³ /min) |
| Radiator Cooling Air | 2966 cfm (84.0 m ³ /min) |

| Exhaust System | |
|-----------------------|------------------------------------|
| Gas Flow (full load) | 612 cfm (17.3 m ³ /min) |
| Gas Temperature | 1042°F (561°C) |
| Maximum Back Pressure | 30.0 in.H ₂ O (7.5 kPa) |

| Amperage | |
|-----------------------------------|---------------------|
| Rated Voltage | Maximum Amps |
| 1Ø 120 Volt | 188.9 Amps (4 wire) |
| 1Ø 240 Volt | 94.9 Amps (4 wire) |
| 3Ø 240 Volt | 204 Amps |
| 3Ø 480 Volt | 102 Amps |
| Main Line Circuit Breaker Rating | 250 Amps |
| Over Current Relay Trip Set Point | 102 Amps |

WARRANTY*

John Deere Engine

12 months from date of purchase and unlimited hours or 24 months from date of purchase with 2000 hours (whichever occurs first).

*Refer to the express written, Engine warranty sheet for additional coverage information.

Generator

24 months from date of purchase or 2000 hours (whichever occurs first).

*Refer to the express written, one-year limited warranty sheet for additional information.

Trailer

12 months excluding normal wear items.

NOTICE

Generator is not intended for use in enclosed areas or where free flow of air is restricted.

Backfeed to a utility system can cause electrocution, shock and/or property damage. **DO NOT** connect to any building's electrical system except through an approved device.

Specifications are subject to change without notice.



DCA85SSJ

MQ POWER Series Generator

MQ POWER DECIBEL LEVELS

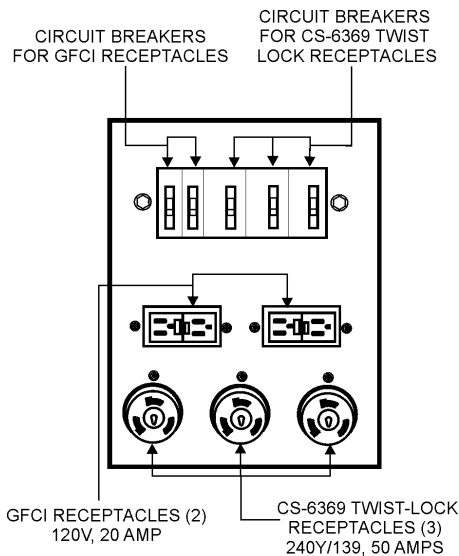
Our soundproof housing allows substantially lower operating noise levels than competitive designs. WhisperWatts are at home on construction sites, in residential neighborhoods, and at hospitals — just about anywhere.

- 90 — Subway / truck traffic
- 80 — Average city traffic
- 70 — Inside car at 60 mph
- 60 — Air conditioner at 20 feet
- 50 — Normal conversation

WhisperWatt at 23 feet



GENERATOR OUTPUT PANEL



OPTIONAL GENERATOR FEATURES

- **Battery Charger** — provides fully automatic and self-adjusting charging to the generator's battery system.
- **Jacket Water Heater** — for easy starting in cold weather climates.
- **Special Batteries** — long life batteries provide extra engine cranking power.
- **Low Coolant Level Shutdown** — provides protection from critically low coolant levels. Includes control panel warning light.
- **Spring Isolators** — provides extra vibration protection for standby applications.
- **Trailer Mounted Package** — meets National Highway Traffic Safety Administration (NHTSA) regulations. Trailer is equipped with electric or surge-hydraulic brakes with tandem axle configuration. Extra capacity fuel tanks are also available.

OPTIONAL CONTROL FEATURES

- **Emergency Stop Switch** — when manually activated shuts down generator in the event of an emergency.
- **Audible Alarm** — alerts operator of abnormal conditions.

OPTIONAL FUEL CELL FEATURES

- **Trailer fuel tank** — a second fuel cell located in the trailer allows for extended run time.
- **Subbase fuel cells (single wall)** — additional fuel cell for extended runtime operation.
 - 12 hours of minimum run time.
 - 24 hours of minimum run time.
- **Subbase fuel cells (double wall)** — additional fuel cell for extended runtime operation. Contains a leak sensor, low fuel level switch, and a secondary containment tank. UL142 listed.
 - 12 hours of minimum run time.
 - 24 hours of minimum run time.

OPTIONAL OUTPUT CONNECTIONS

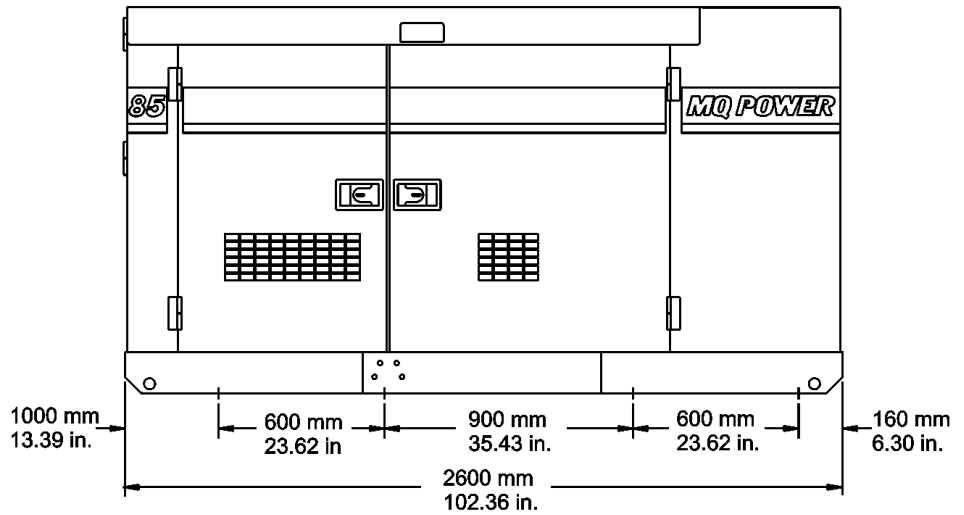
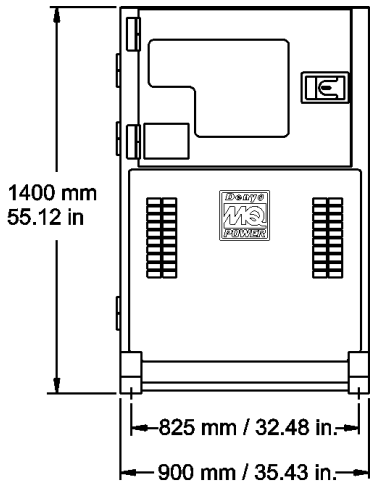
- **CamLok™ Connectors** — provides quick disconnect alternative to bolt-on connectors.
- **Pin and Sleeve Connectors** — Appleton, Crouse-Hinds.
- **Output Cable** — Type G, Type W



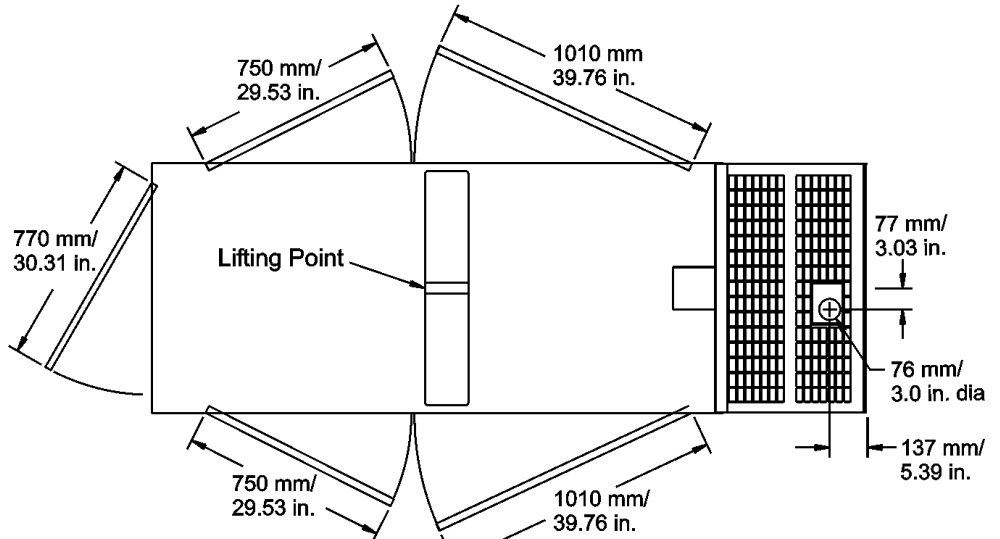
DCA85SSJ

MQ POWER Series Generator

DIMENSIONS



| Weight | |
|-----------------------------|-----------------------|
| Dry Weight | 3,560 lbs. (1,615 kg) |
| Wet Weight | 4,107 lbs. (1,863 kg) |
| Max. Lifting Point Capacity | 5,150 lbs. (2,335 kg) |



Generator can be placed on MQ Power Trailers TRLR75XF, TRLR85XF, and TRLR125XF.

Manufactured by Denyo Co.

Your Multiquip dealer is:

